



Ropox Support Washbasin

Fixed – Basic - Manual

MOUNTING INSTRUCTIONS

Keep this manual with the product at all times

Mounting must always be carried out by competent personnel

Before starting installation, check that all parts mentioned in the list of components have been delivered.
See list of components from page 23.

Ropox Support Washbasin is available in three models:



Fixed

page 3



Basic height adjustment

page 4-11



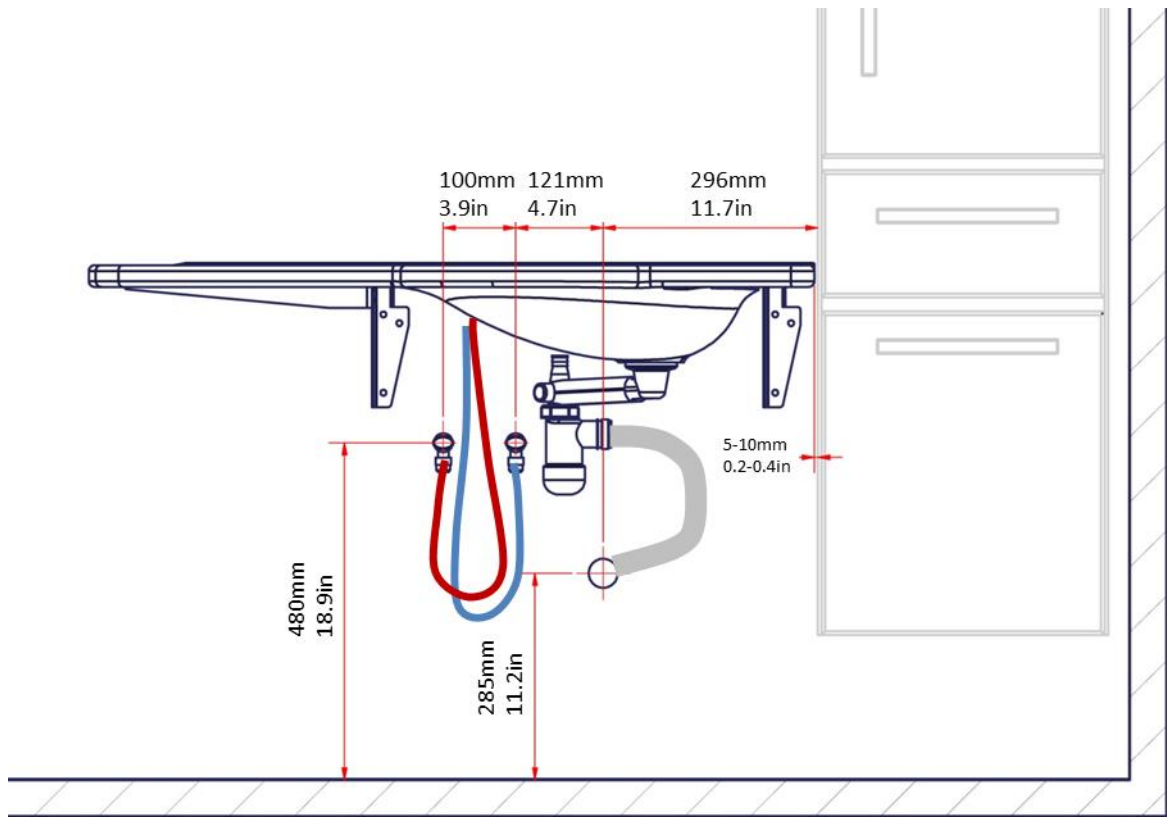
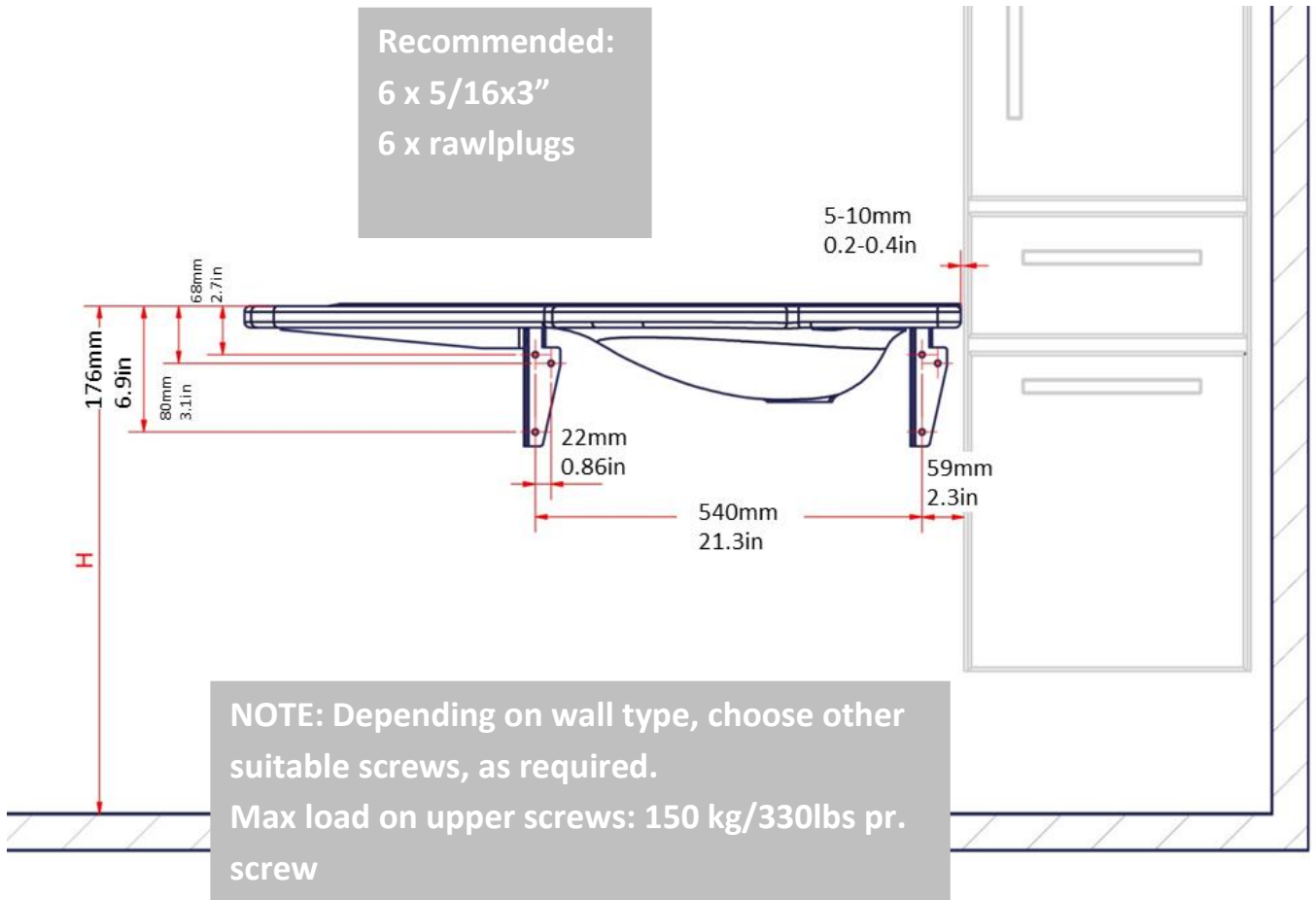
Manual height adjustment

page 12-22

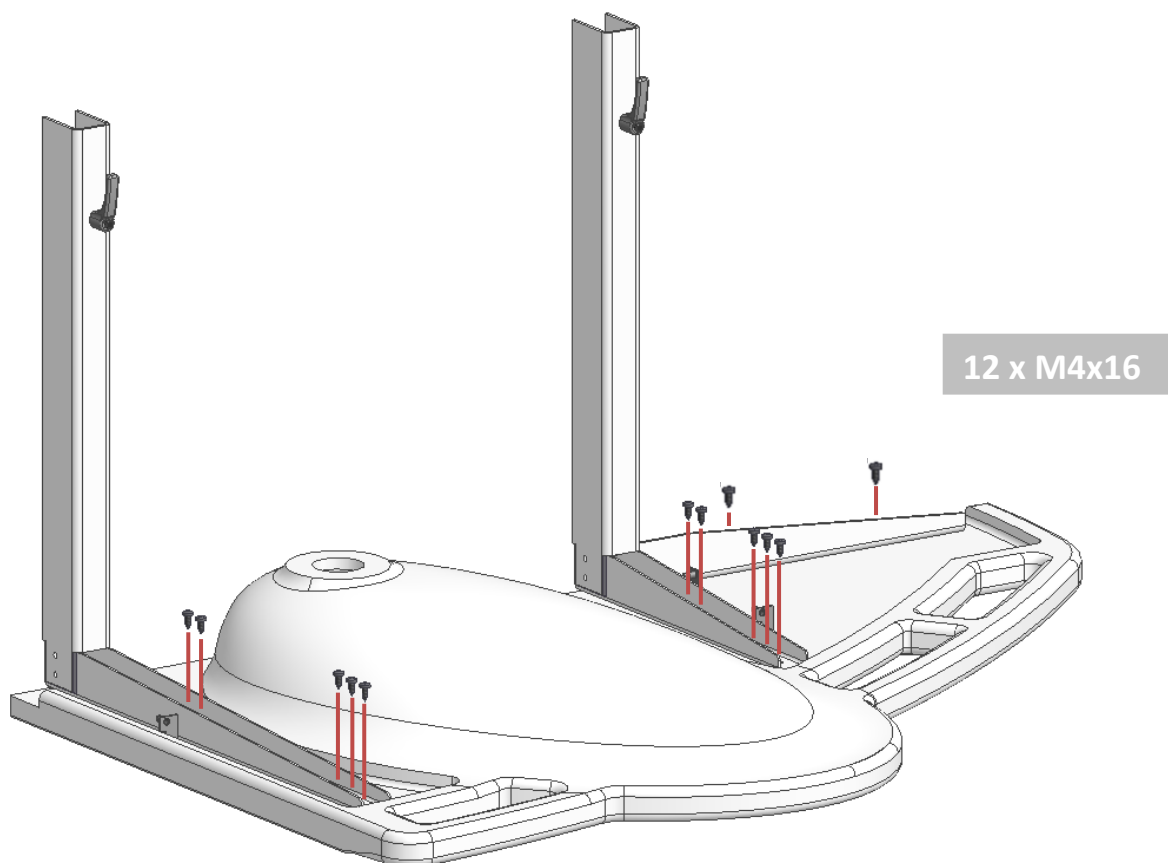
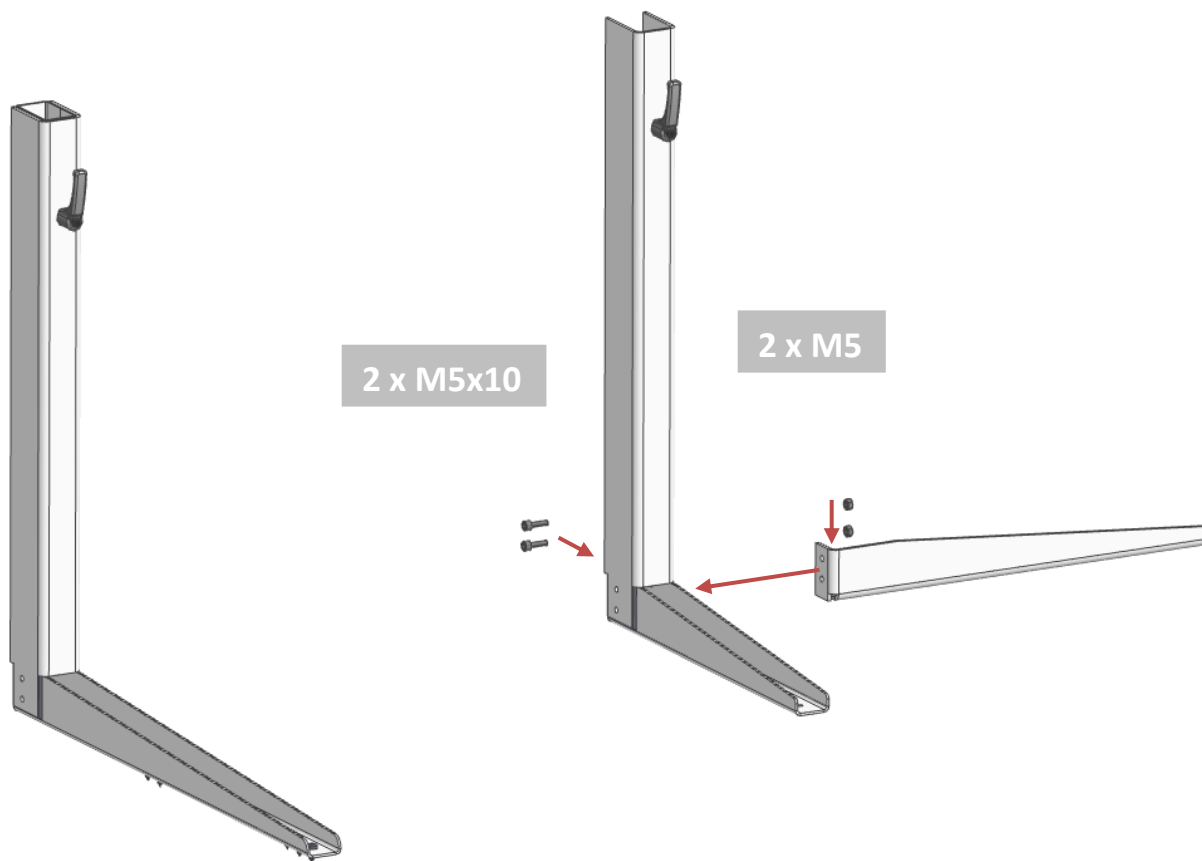
NOTE:
When mounting screws in the wall, always consider the strength and nature of the wall. The screws provided are only intended as a guide for installation on a reinforced wall with a view to the specified maximum loads on screws.

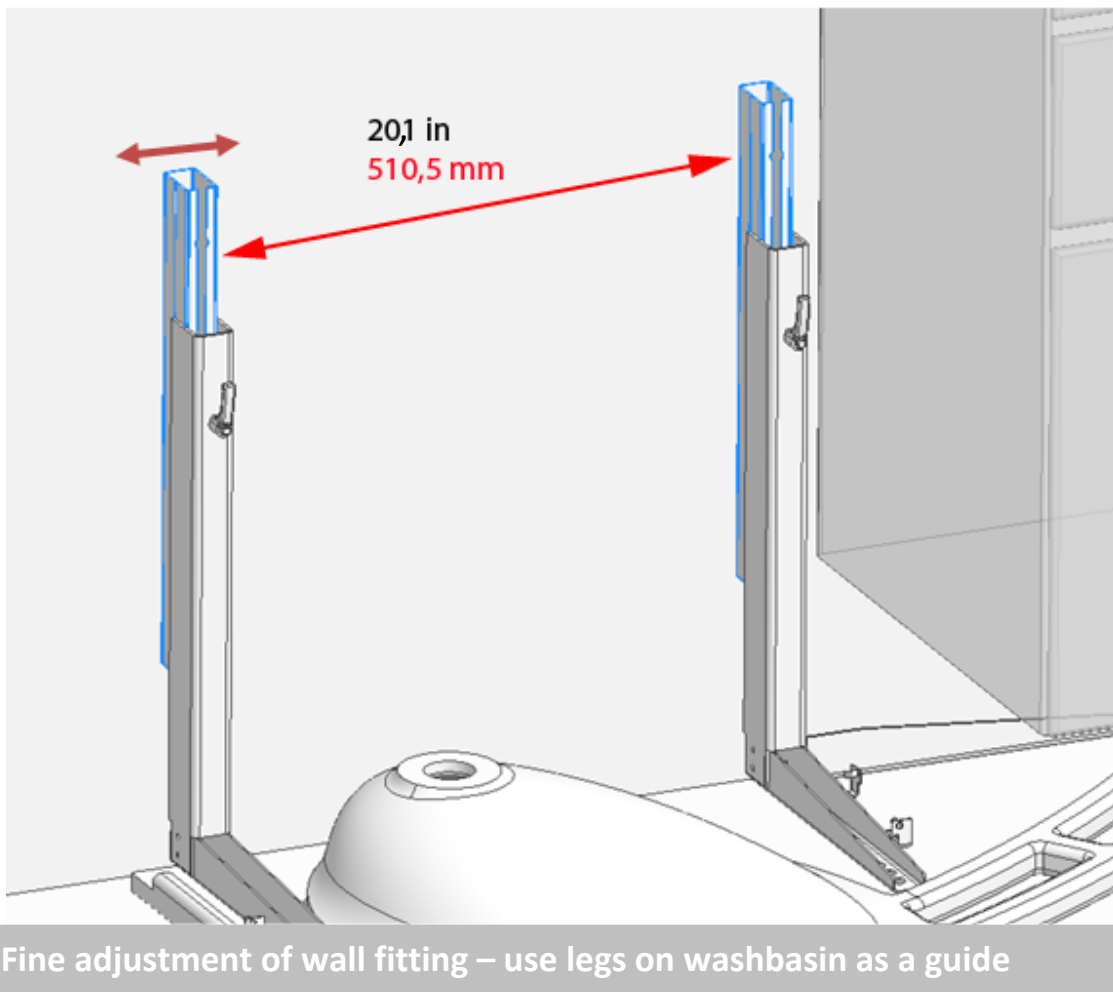
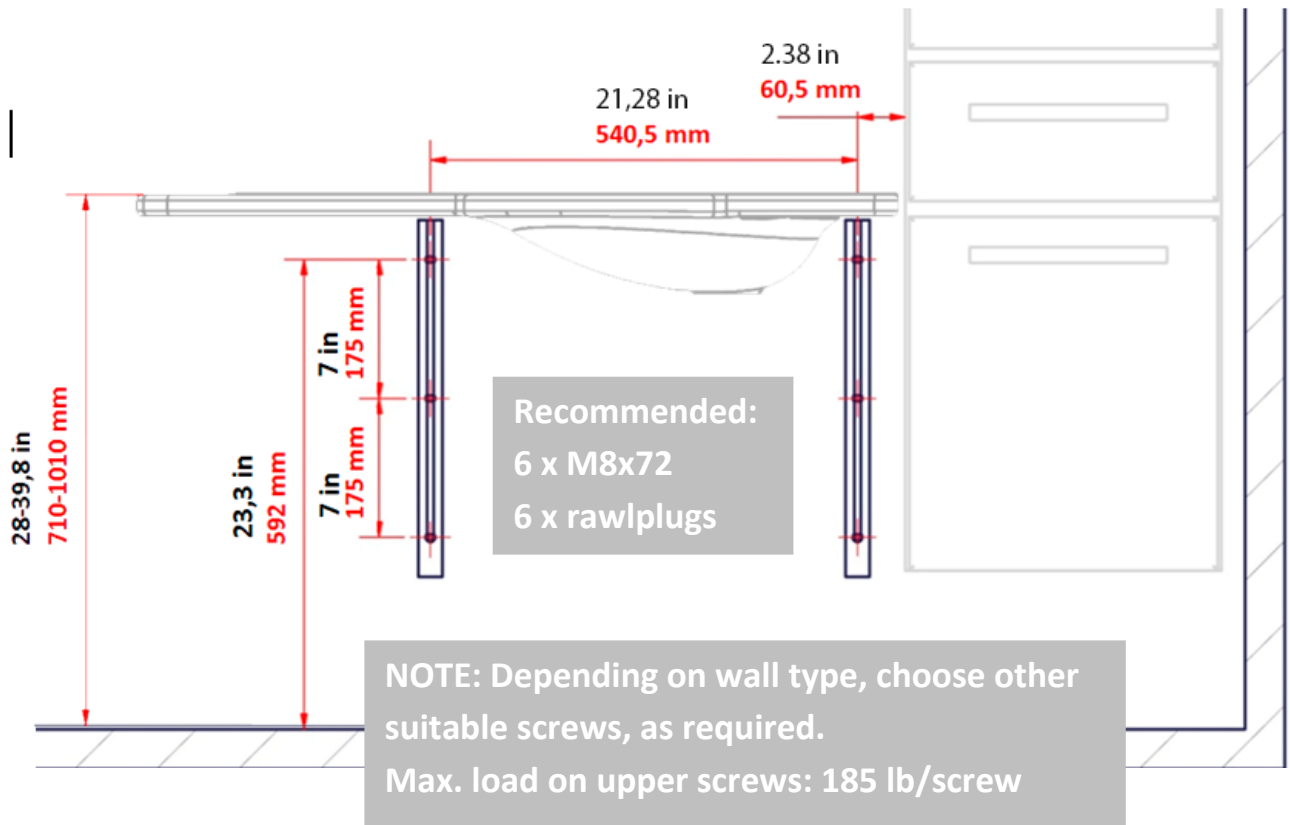
Support Washbasin, Fixed (40-44010/11)

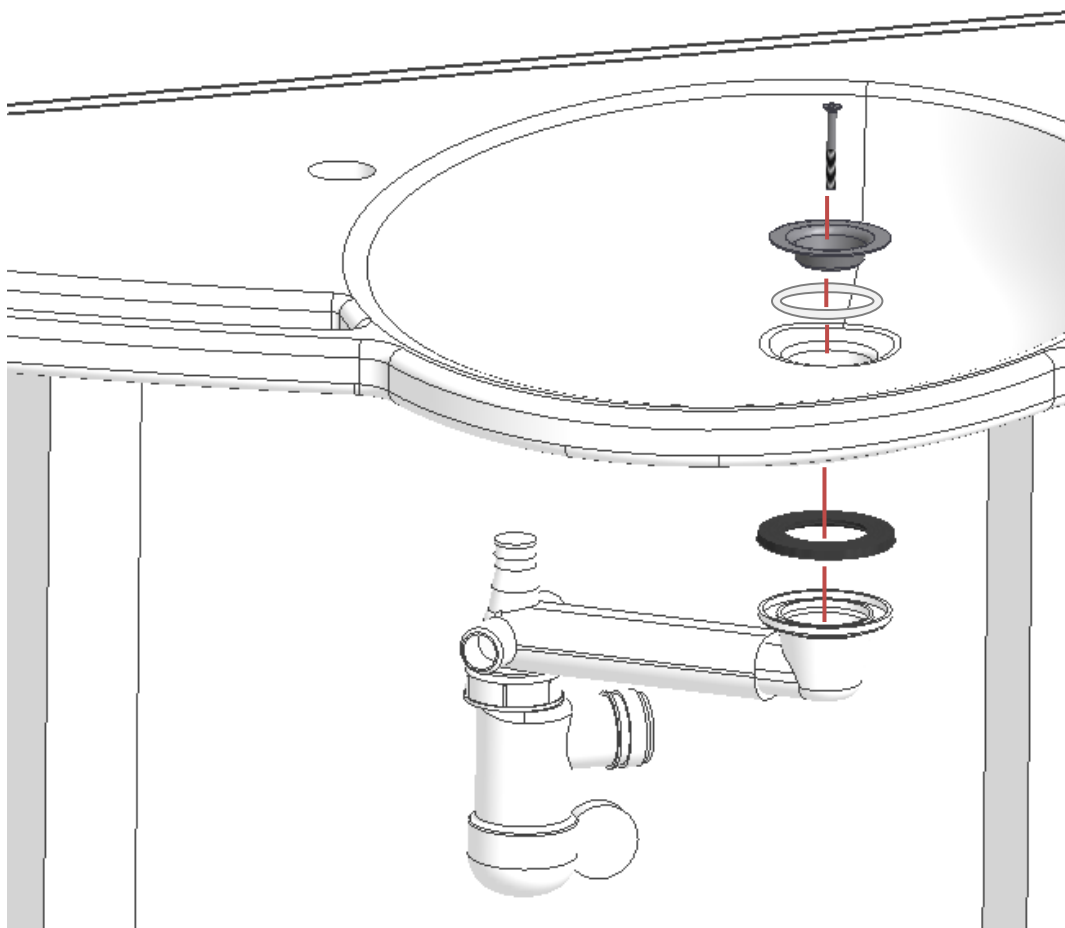
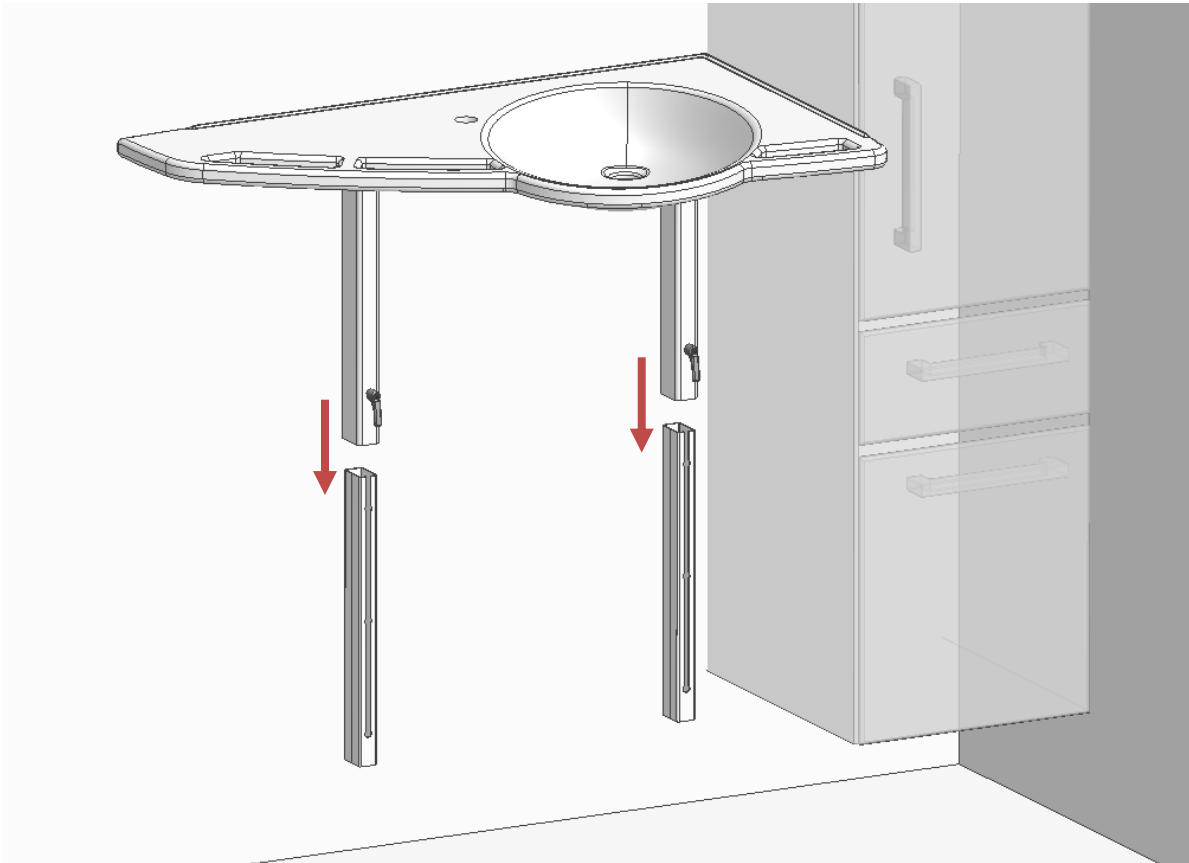
Recommended:
 6 x 5/16x3"
 6 x rawlplugs

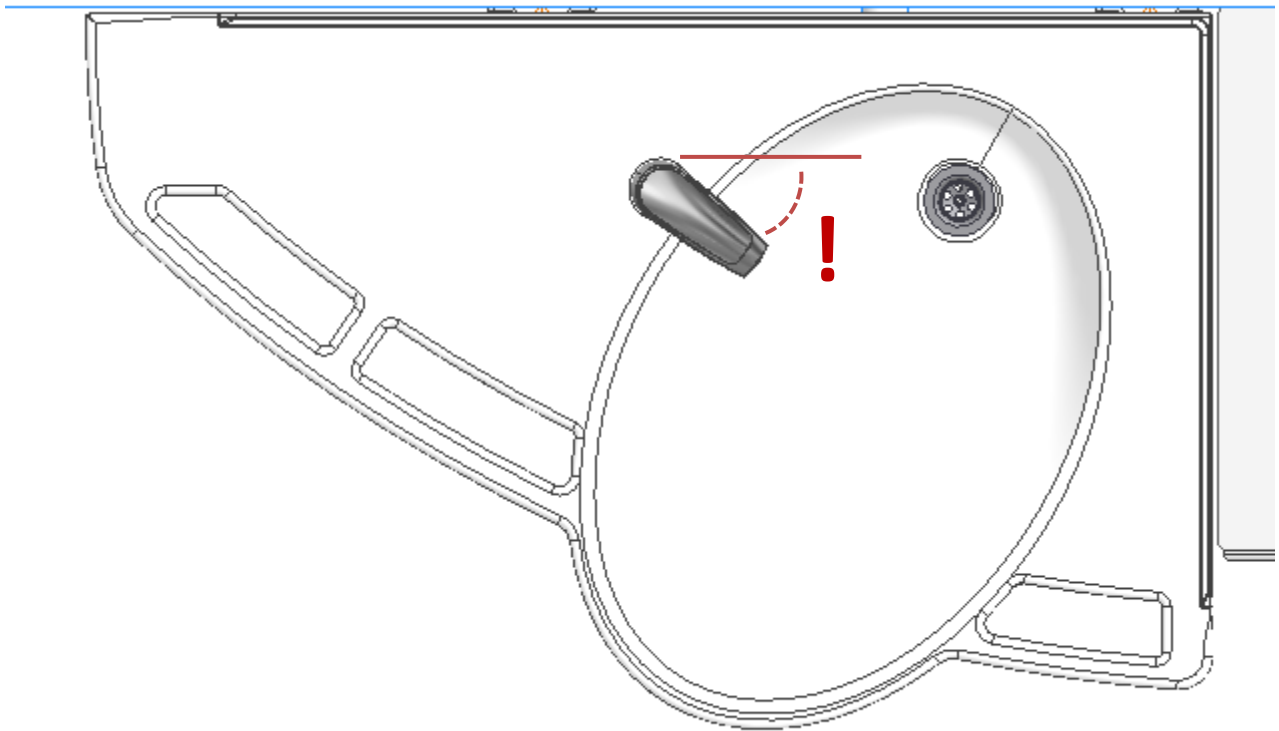
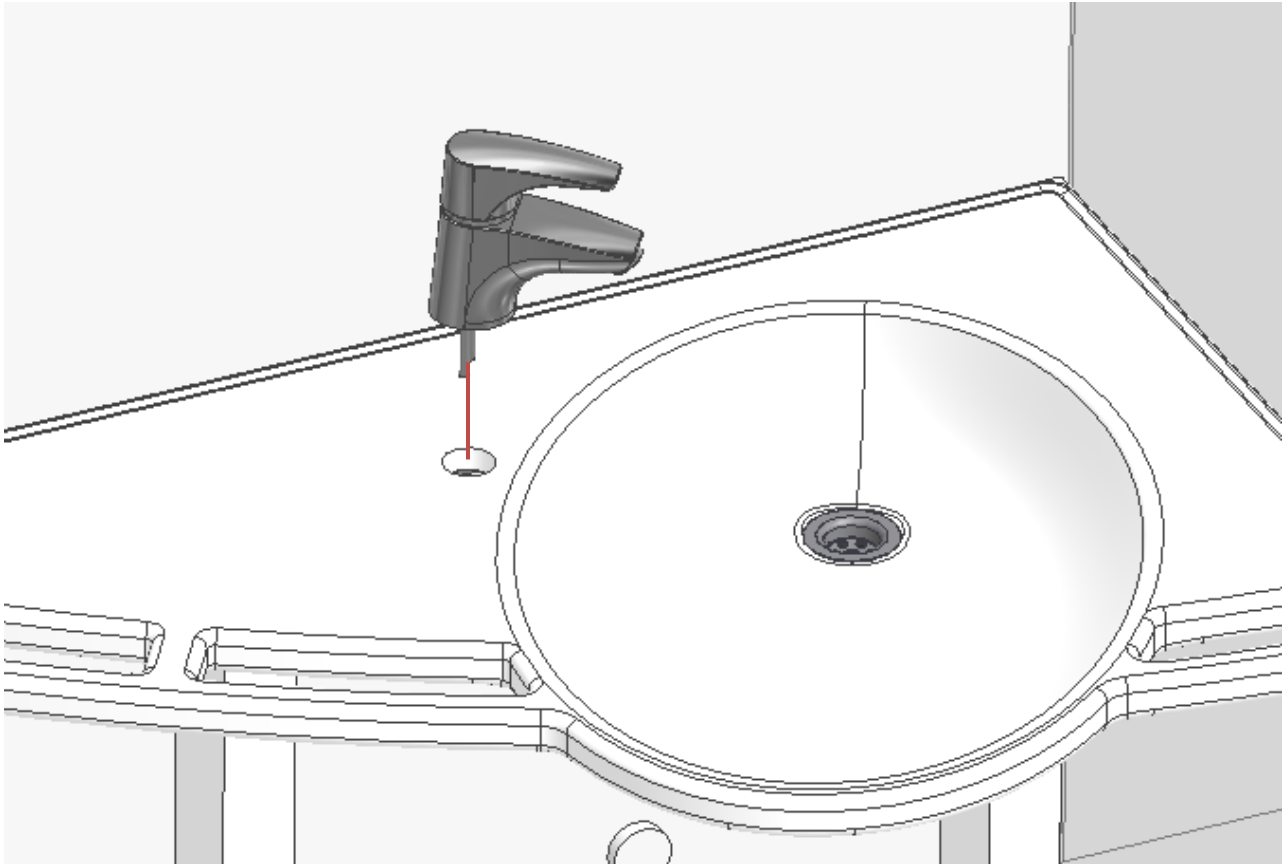


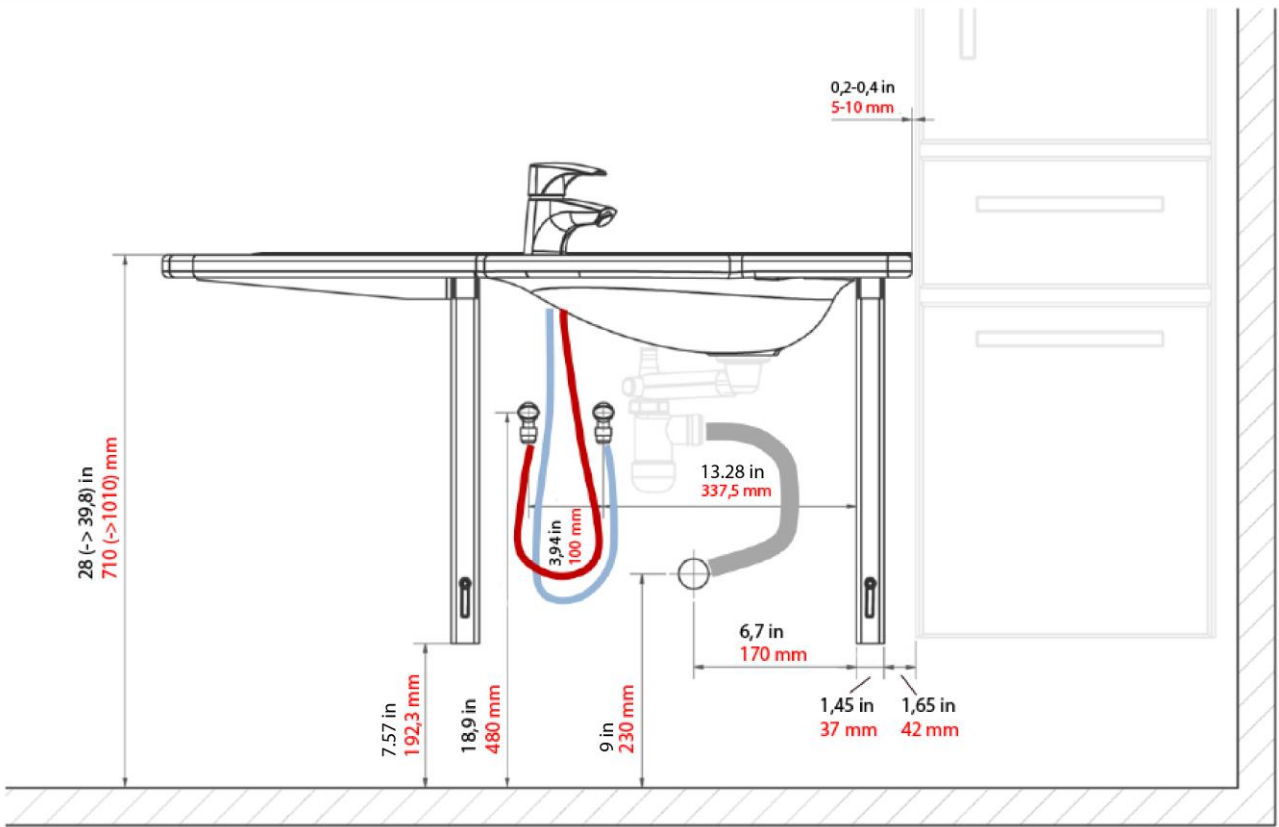
Support Washbasin with Basic frame (40-4012/13)



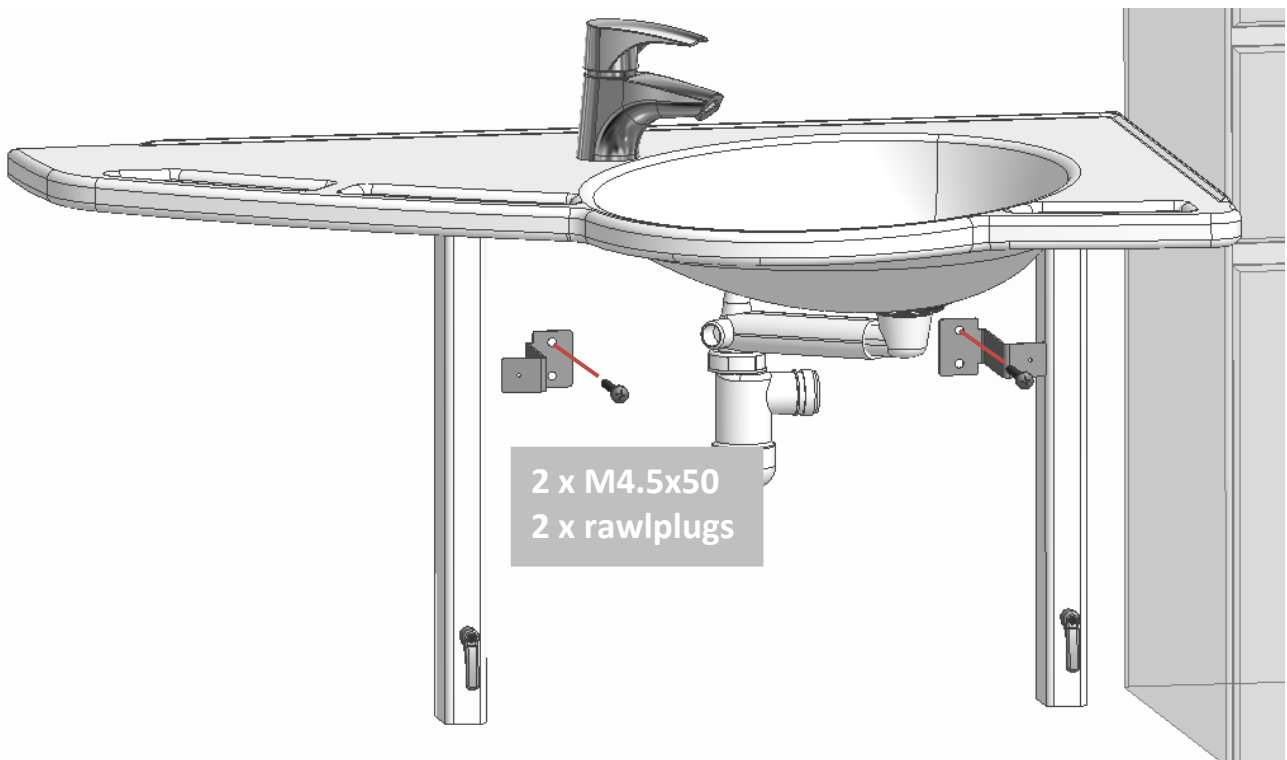
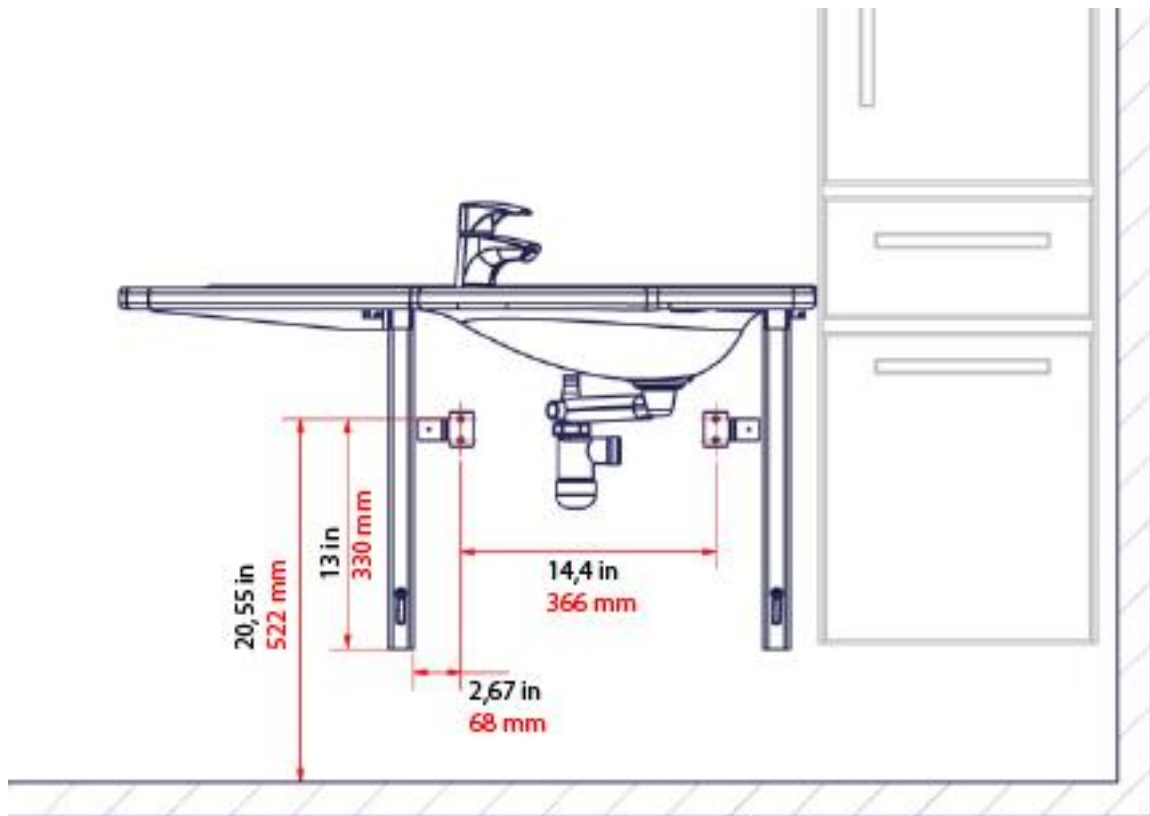


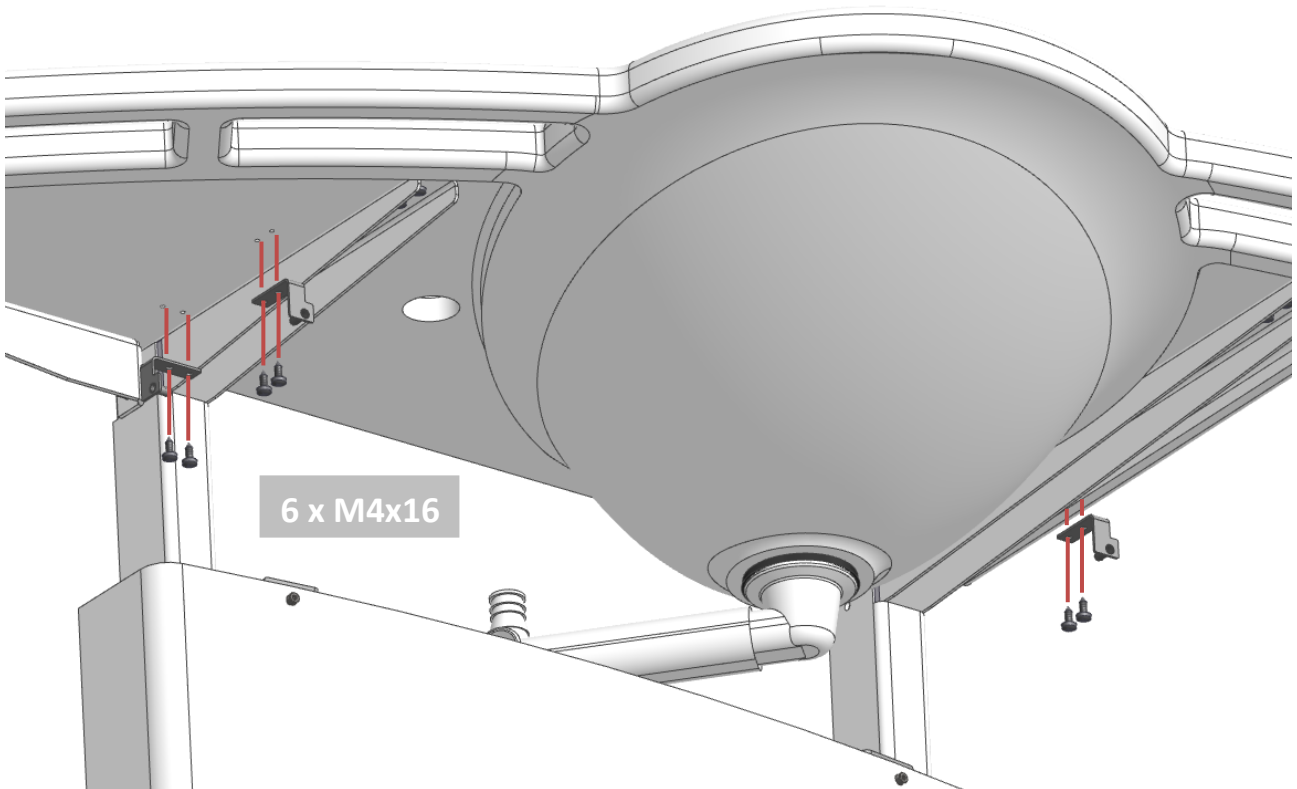
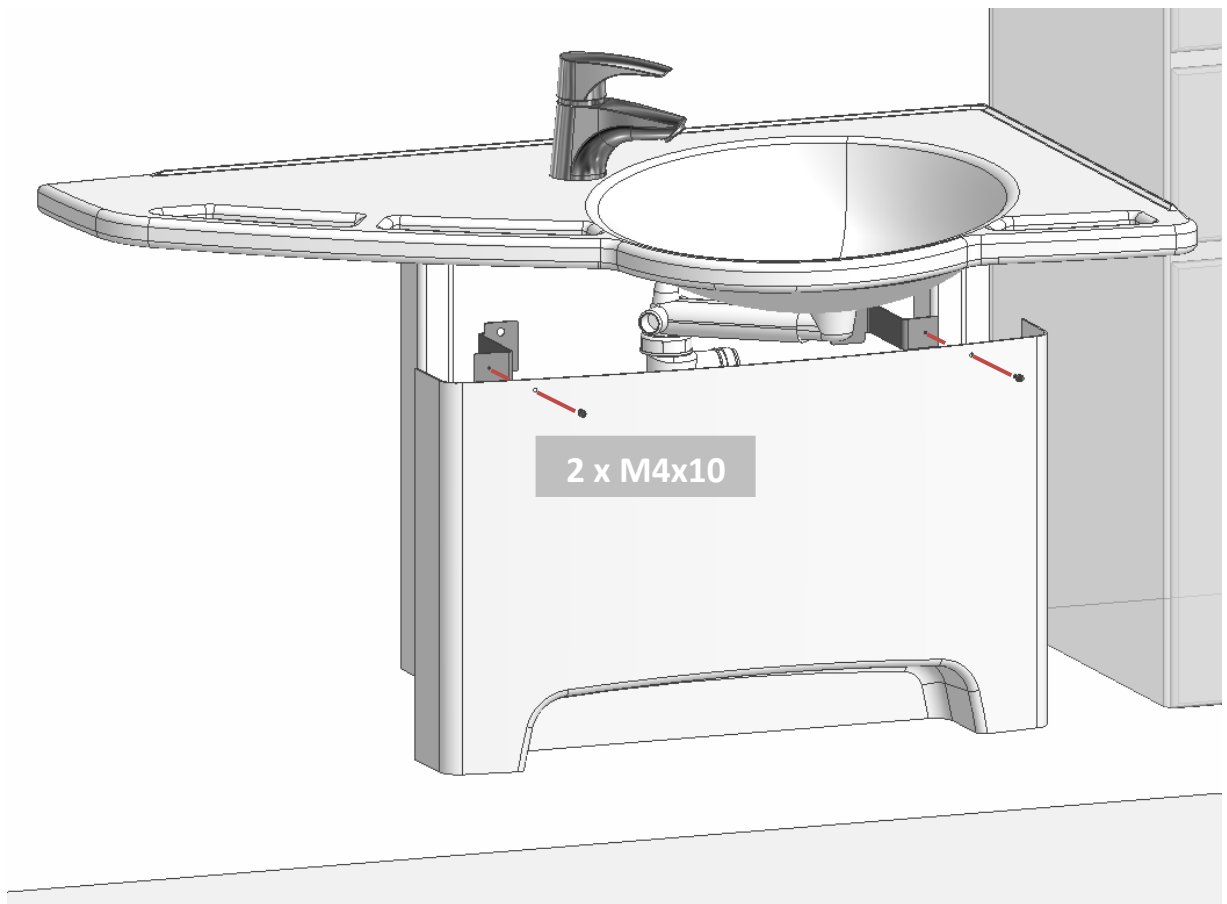


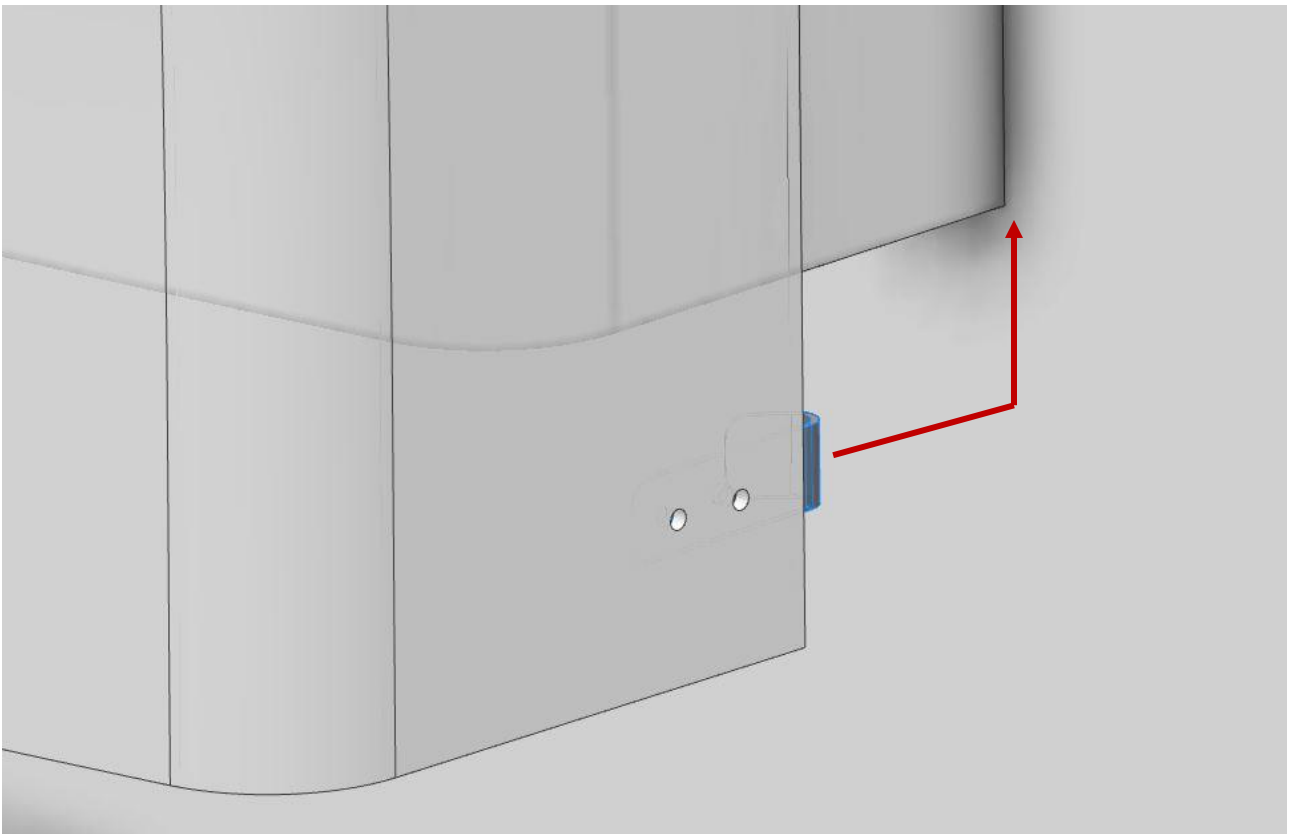
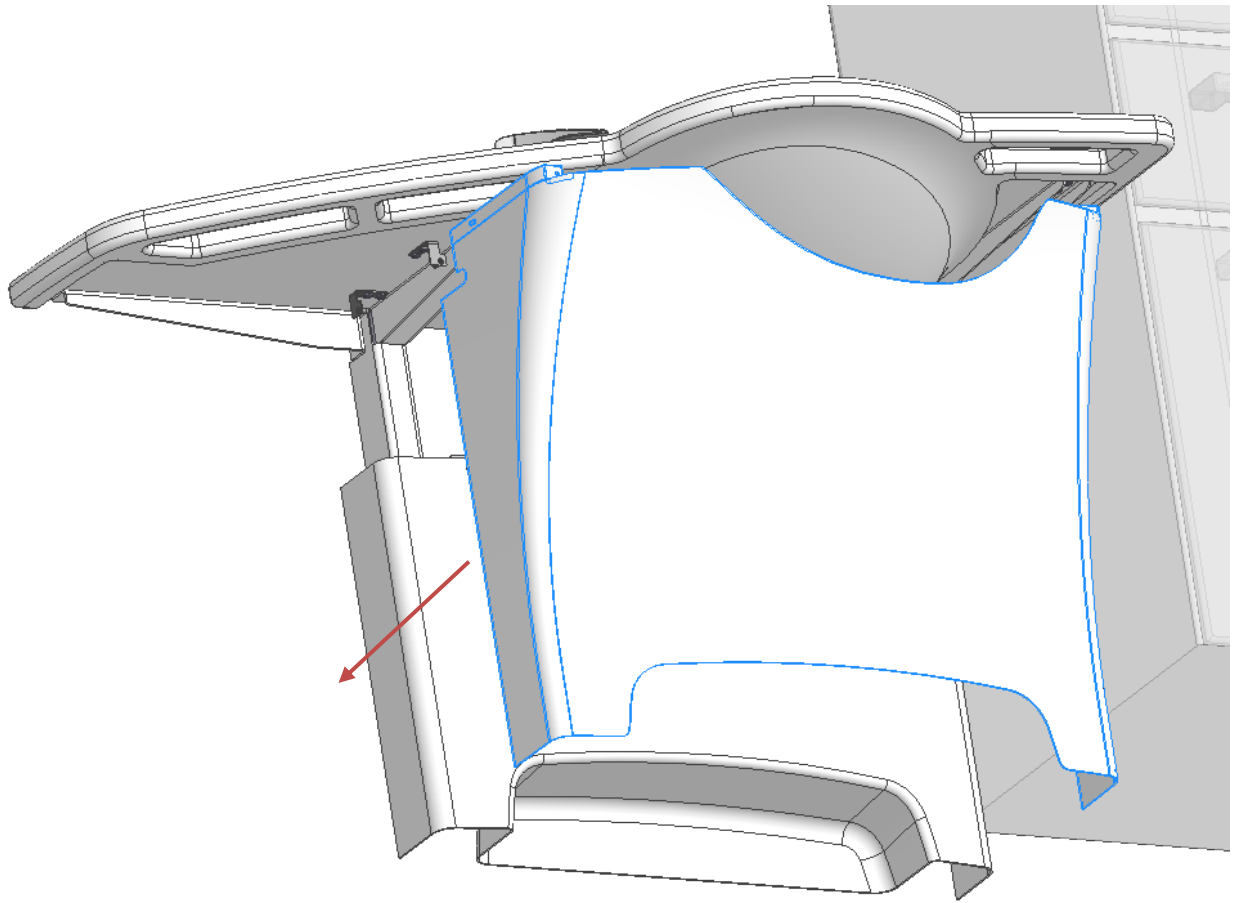


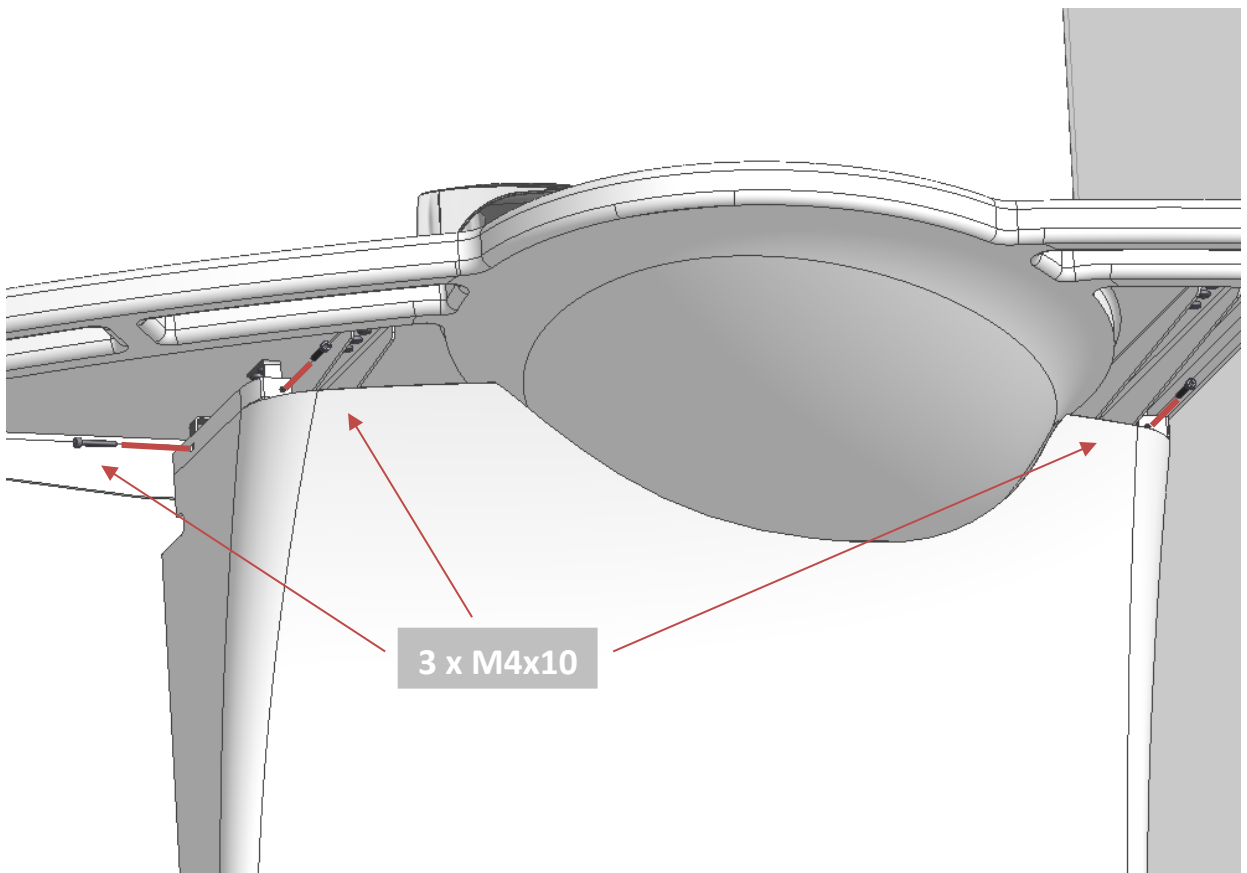


Mounting of covers for 40-44012/13

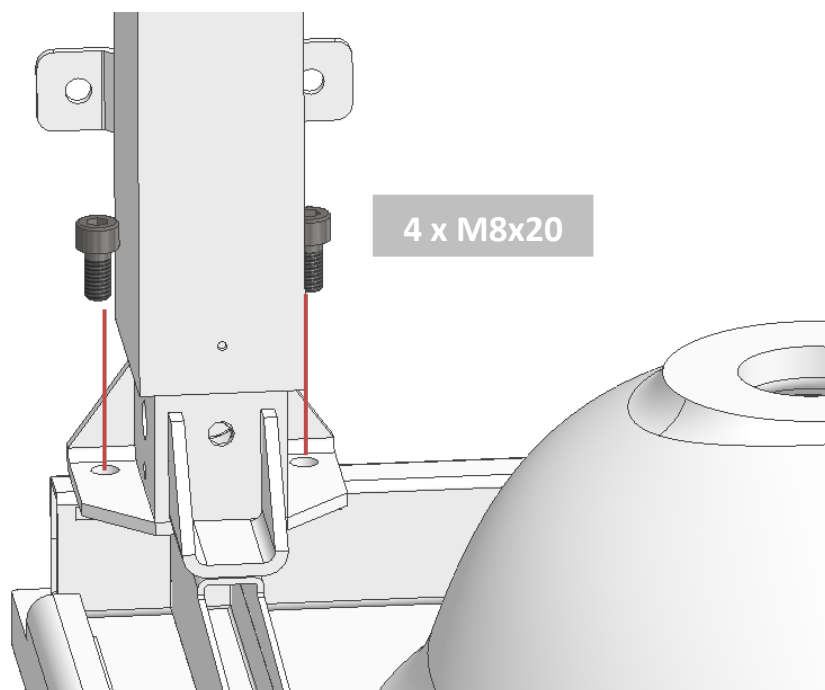
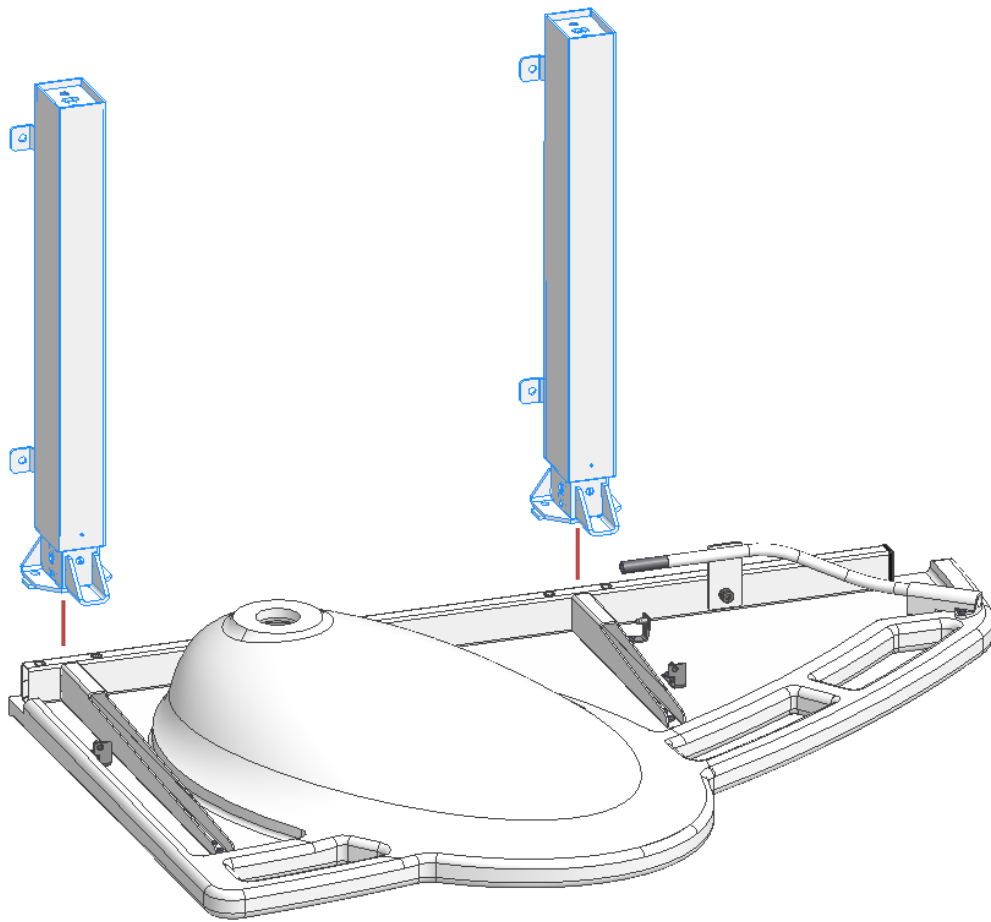


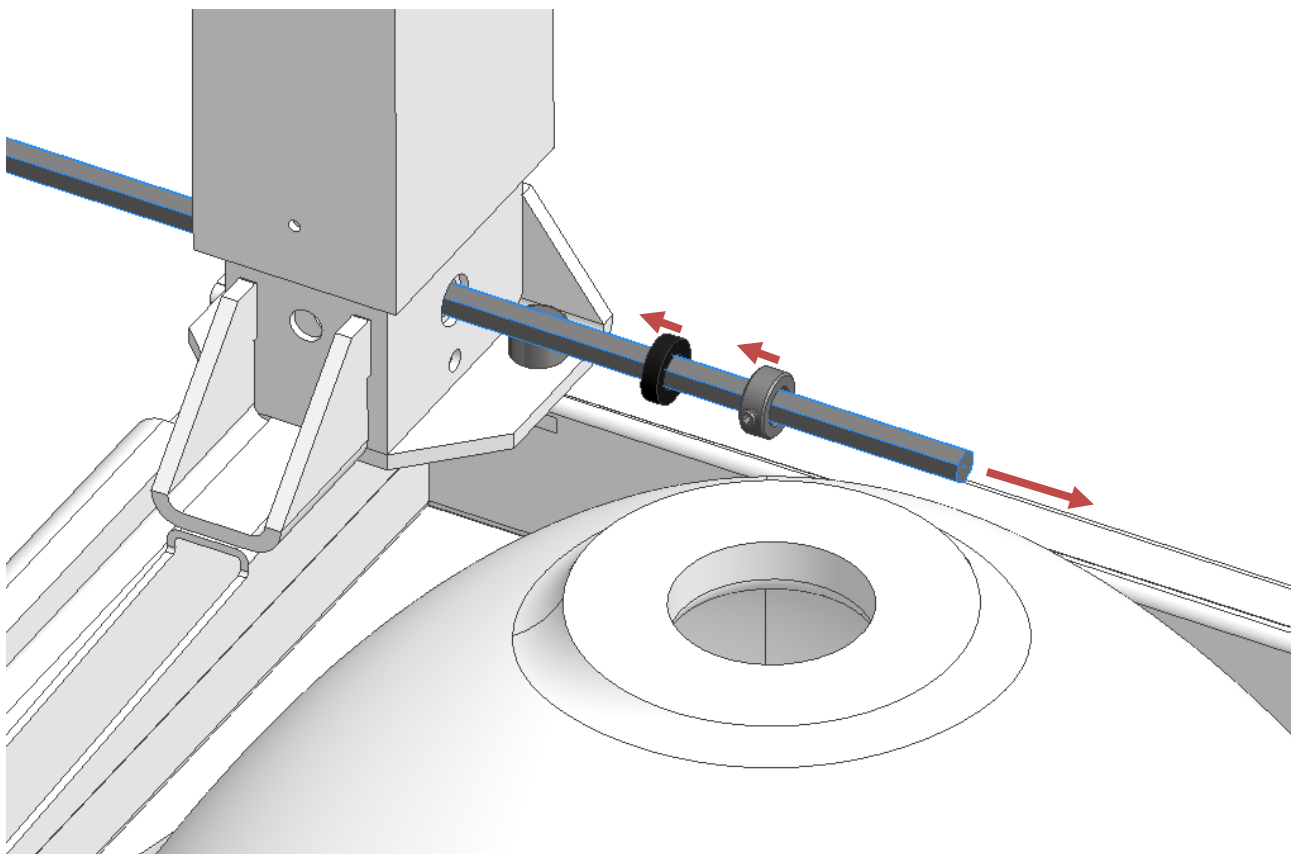
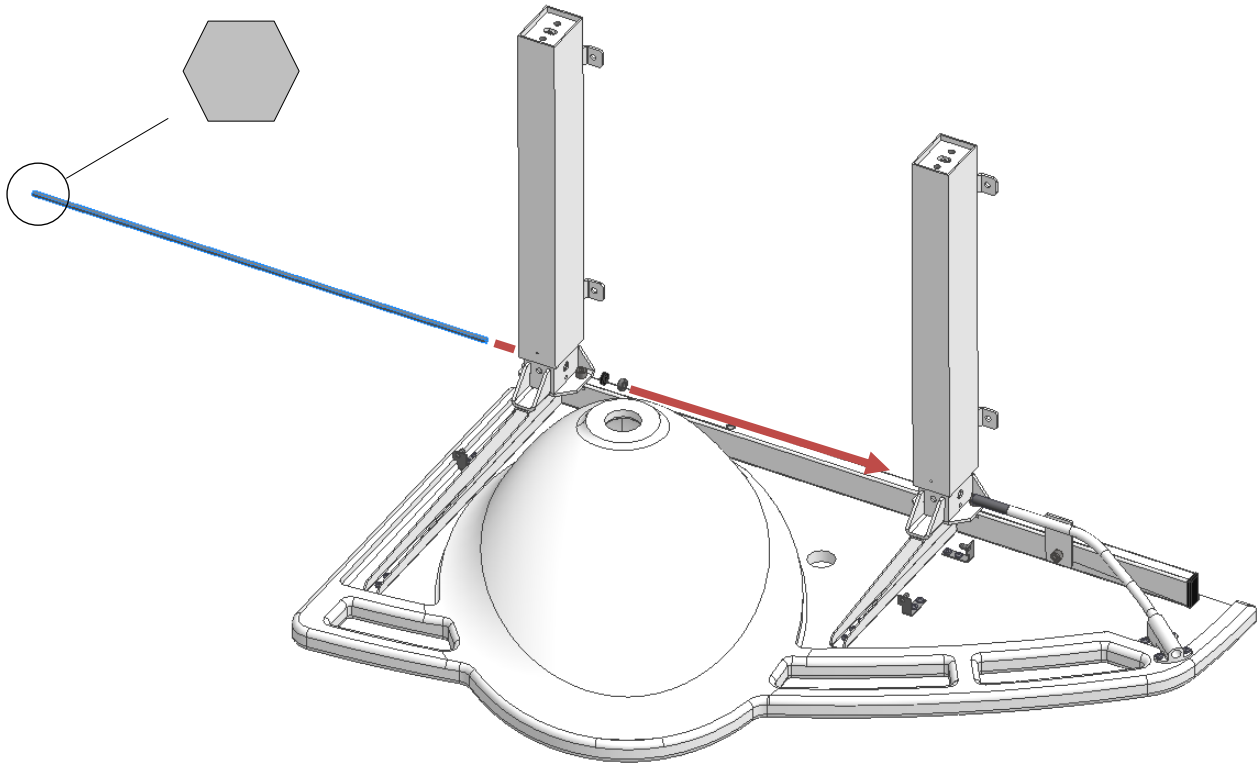


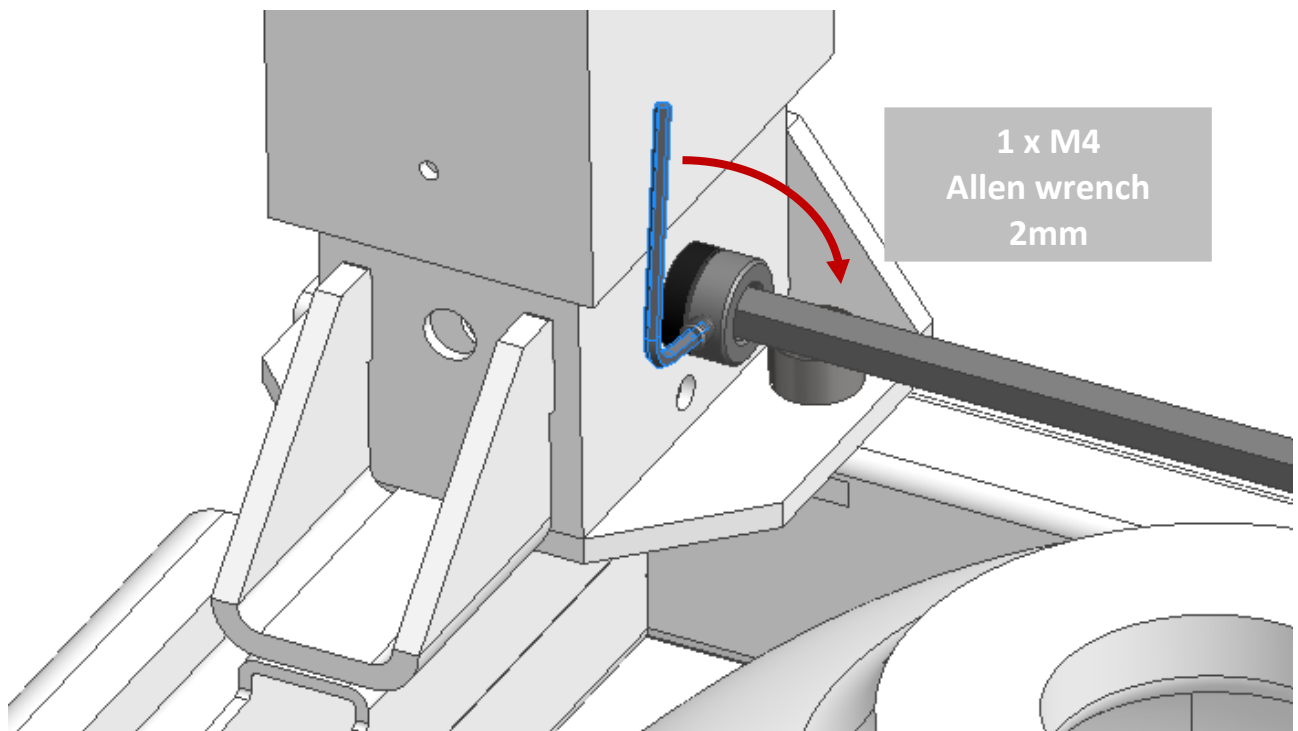
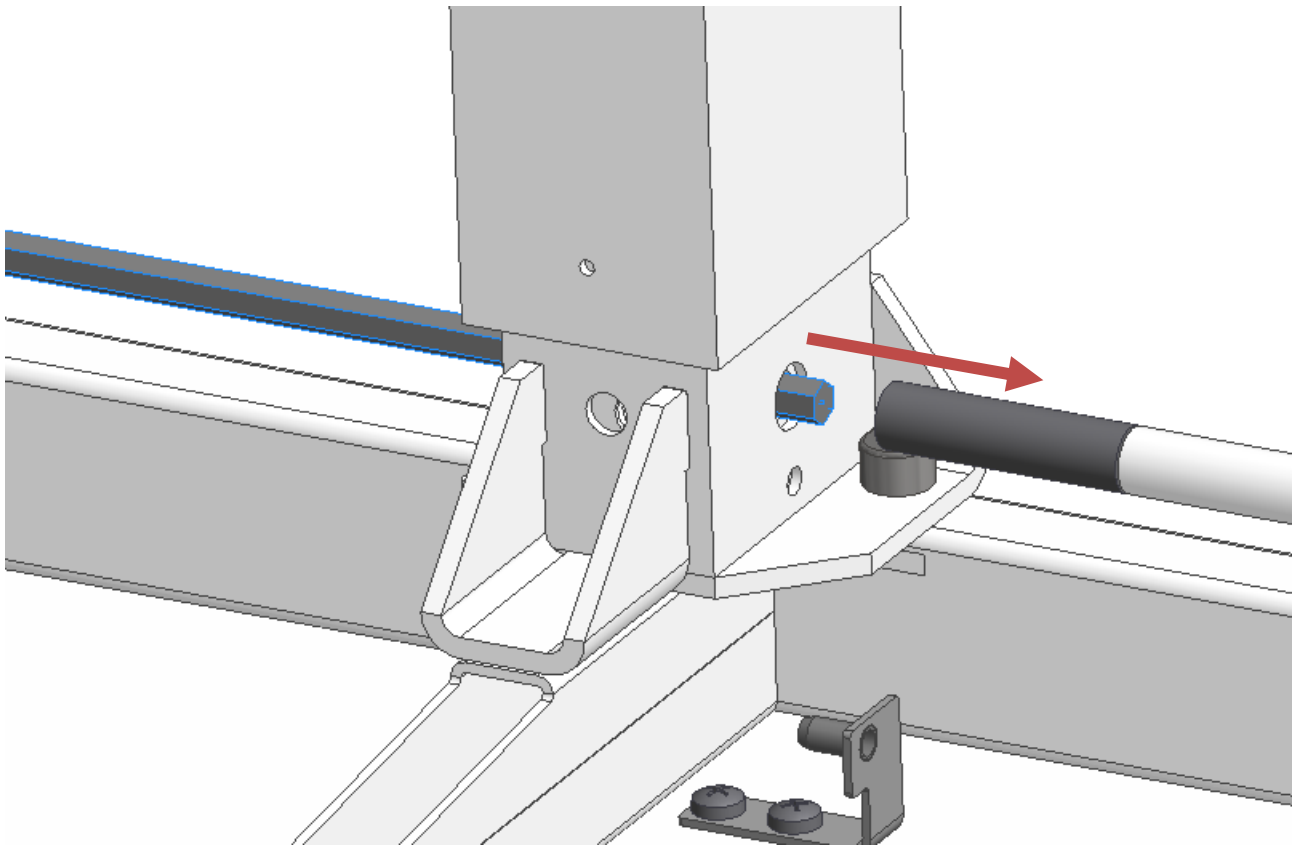


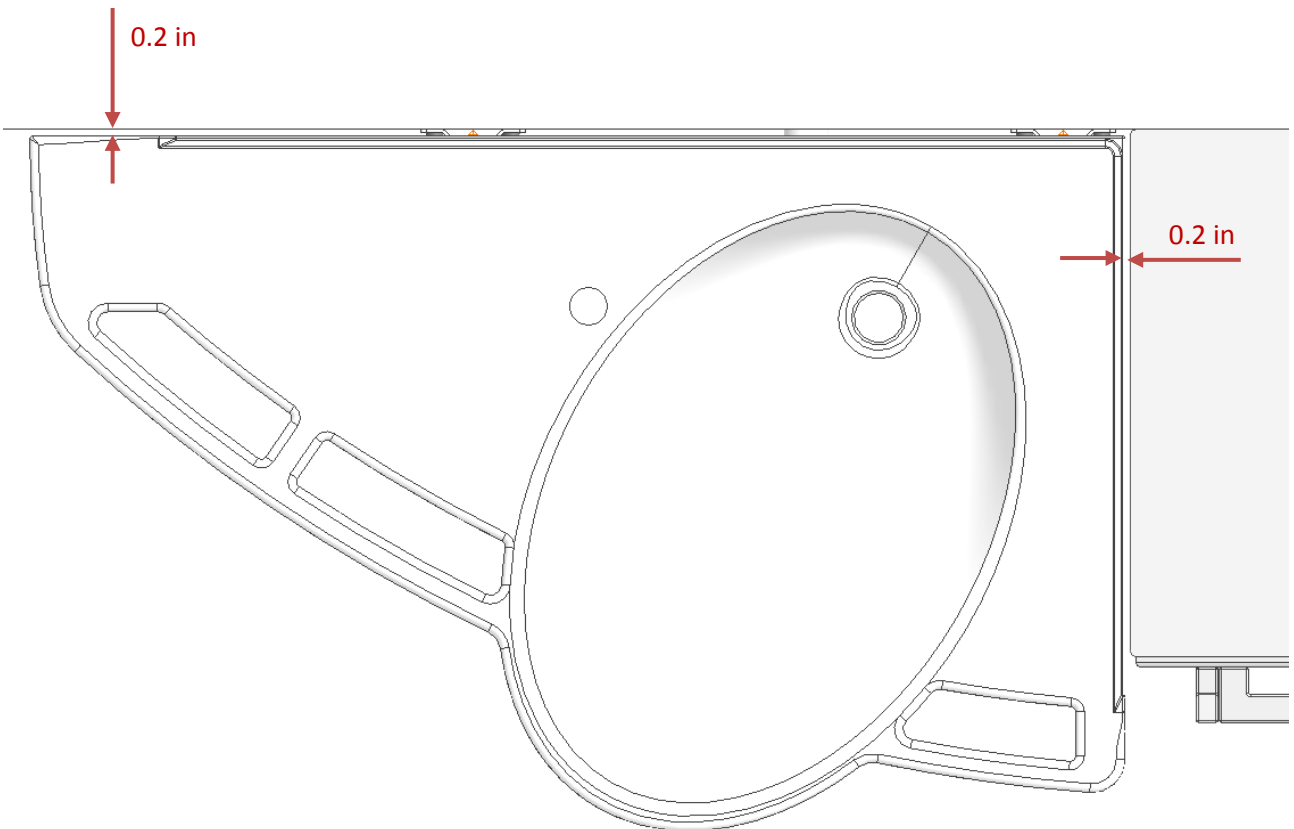
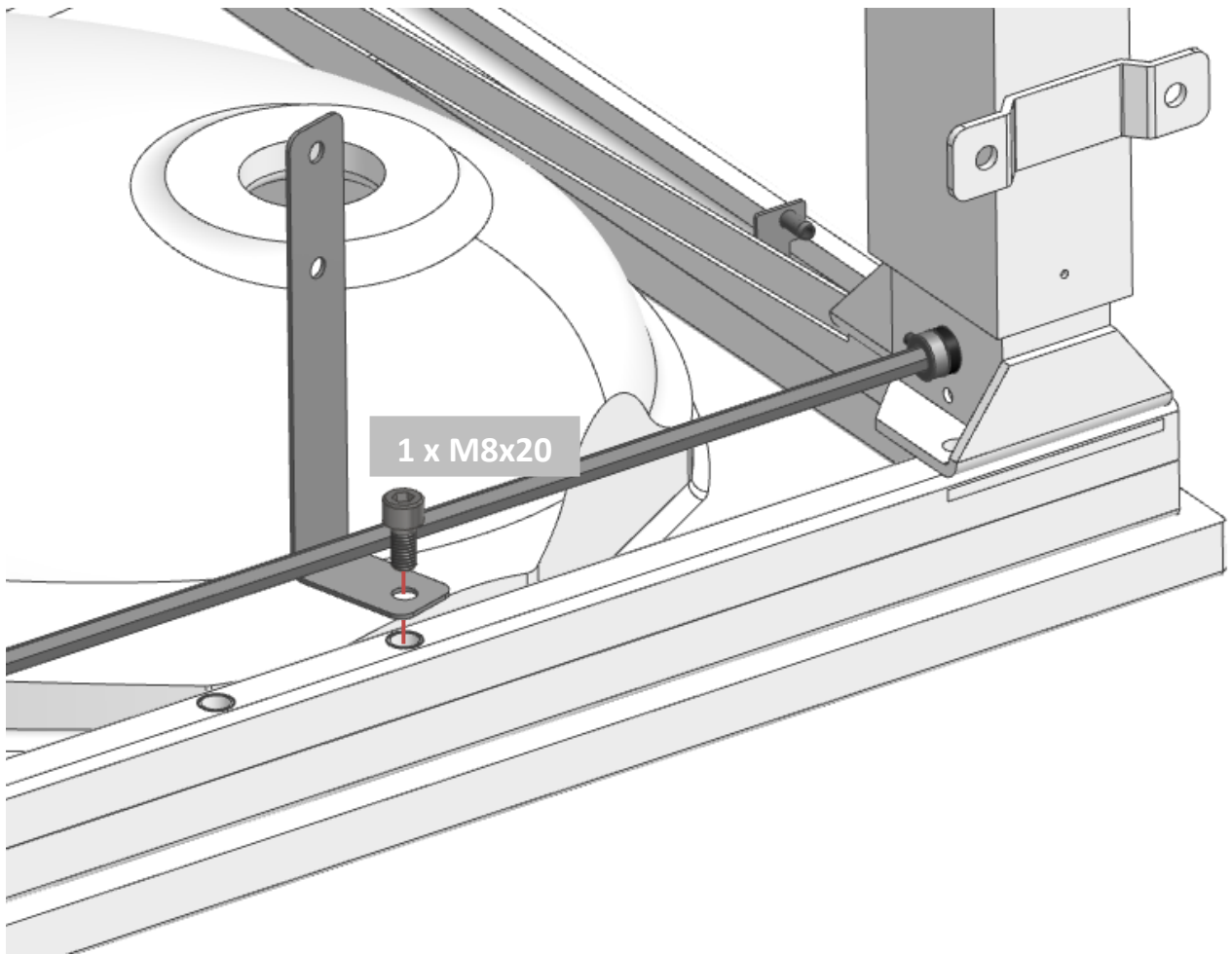


Support Washbasin with Manual frame (40-44014/15)

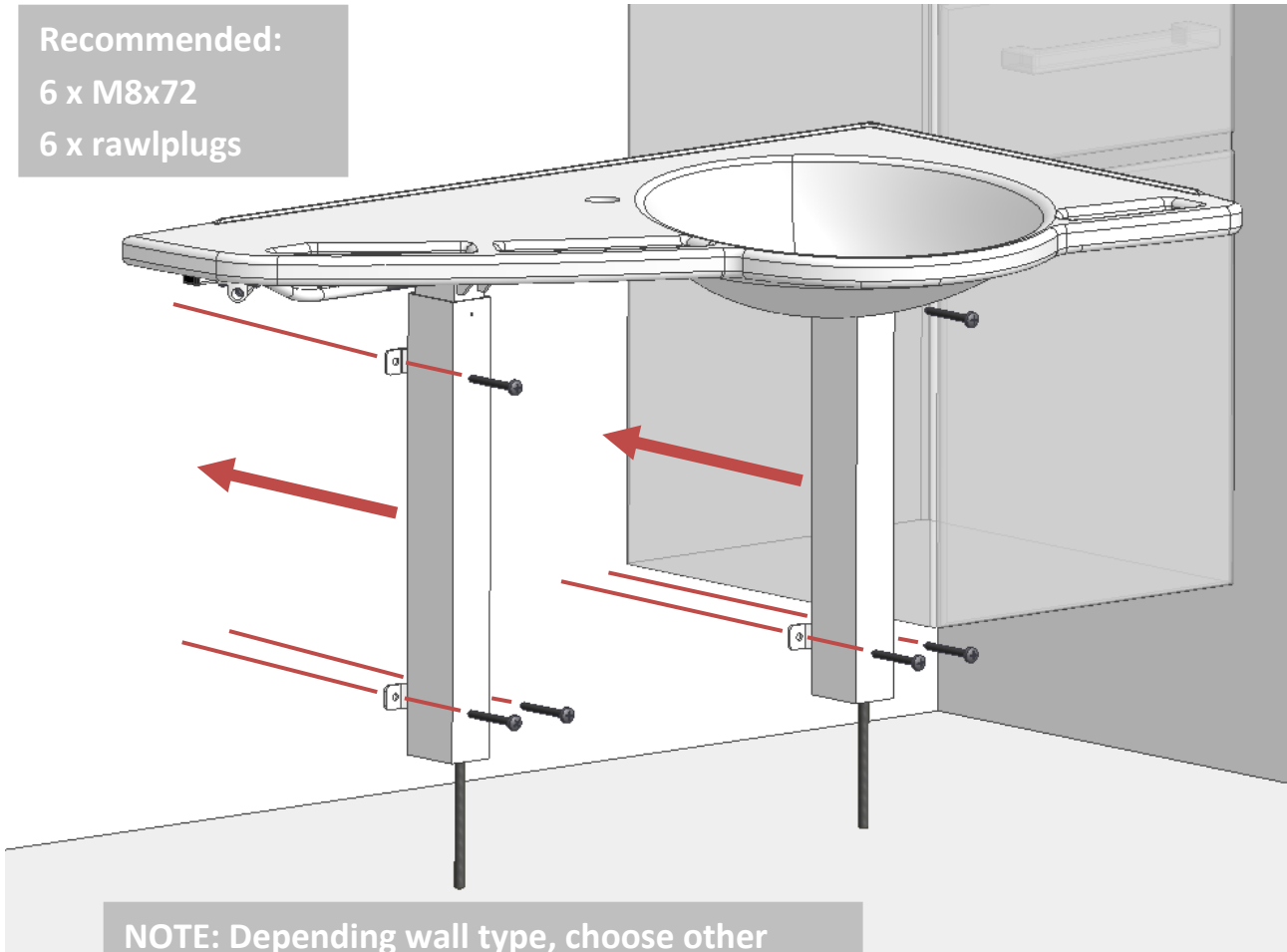




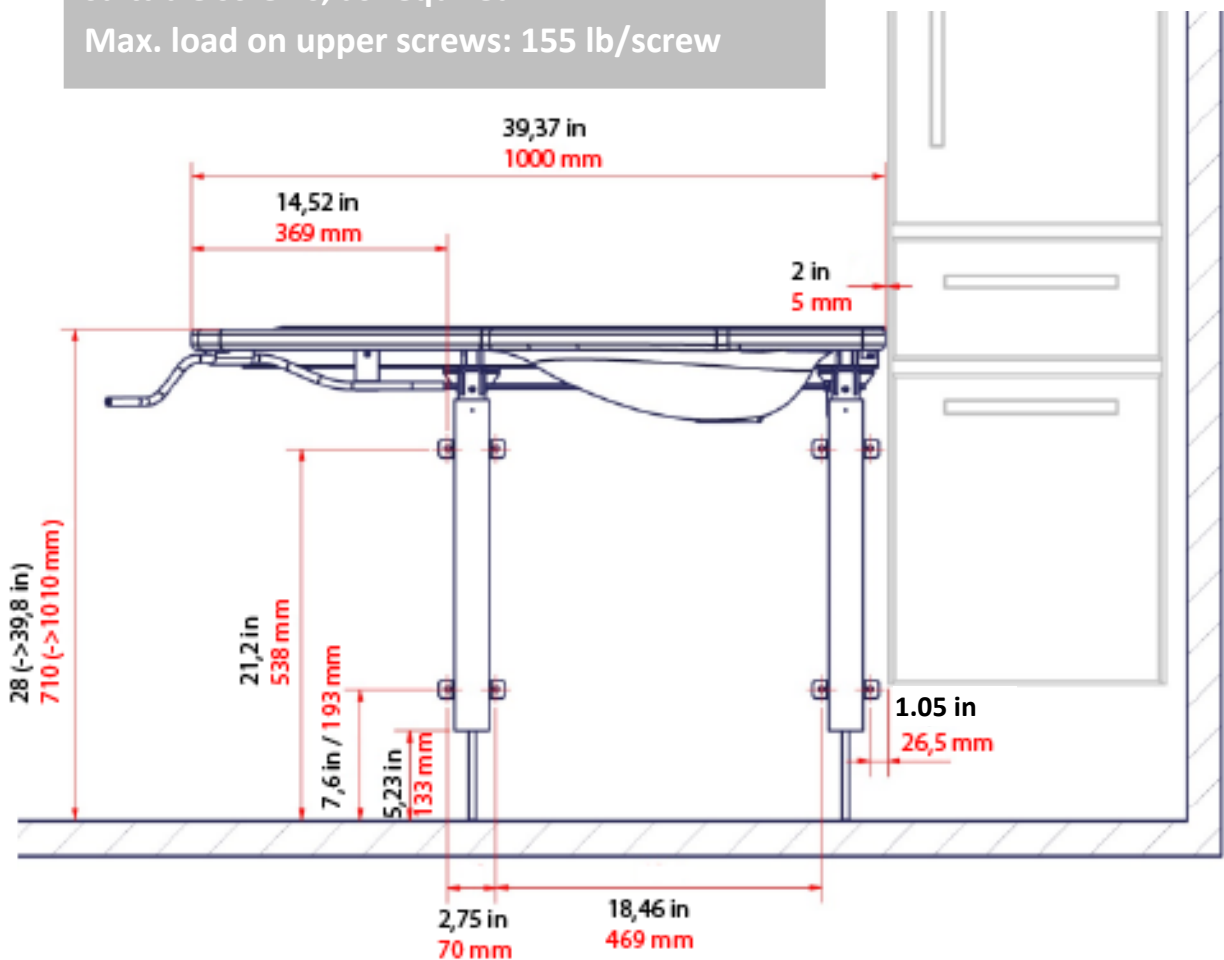


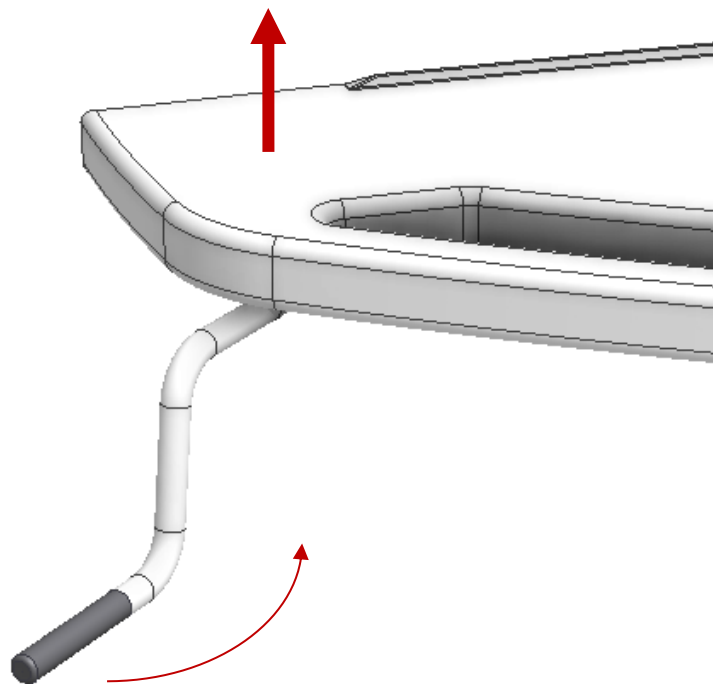
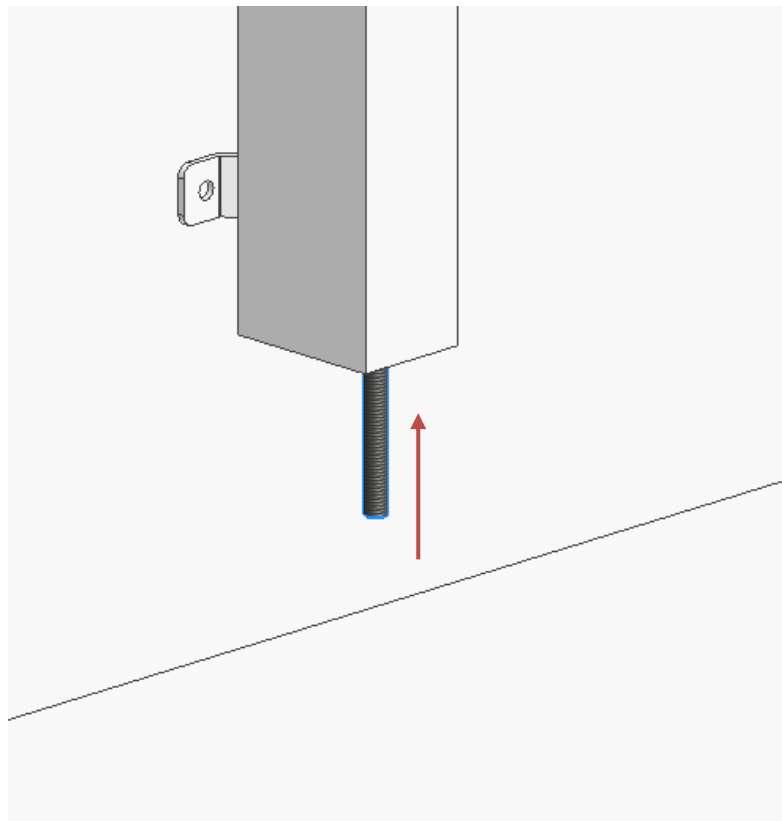


Recommended:
 6 x M8x72
 6 x rawlplugs

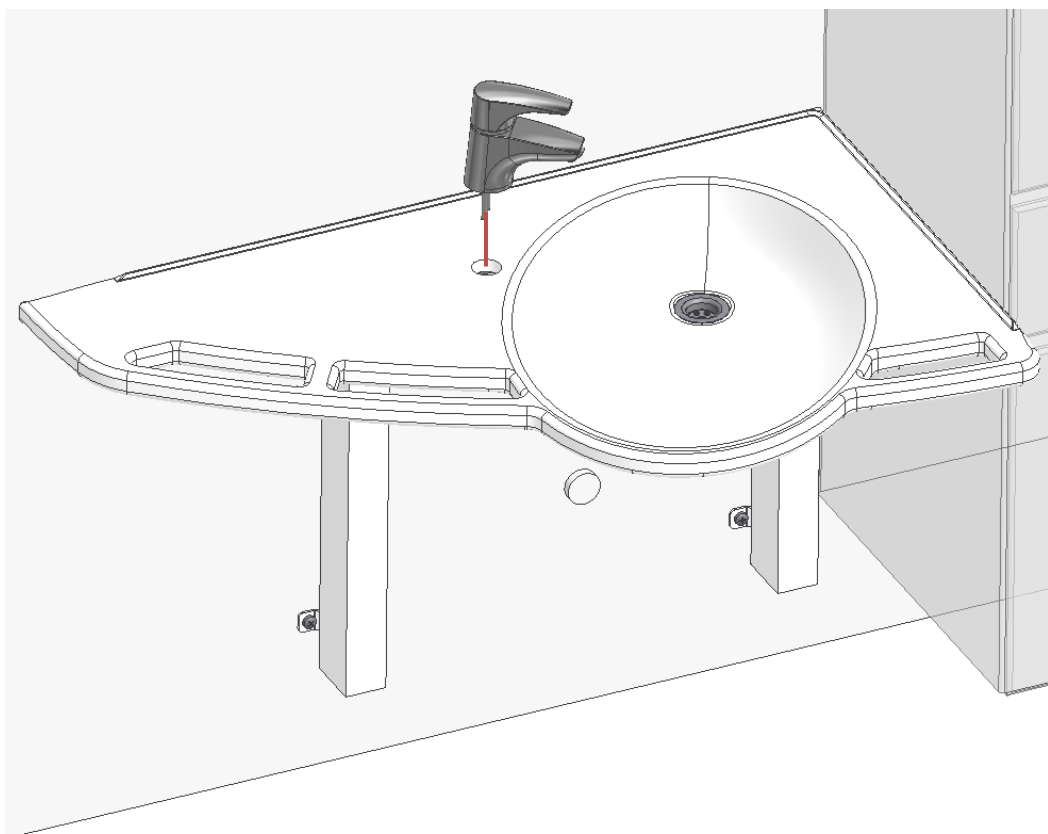
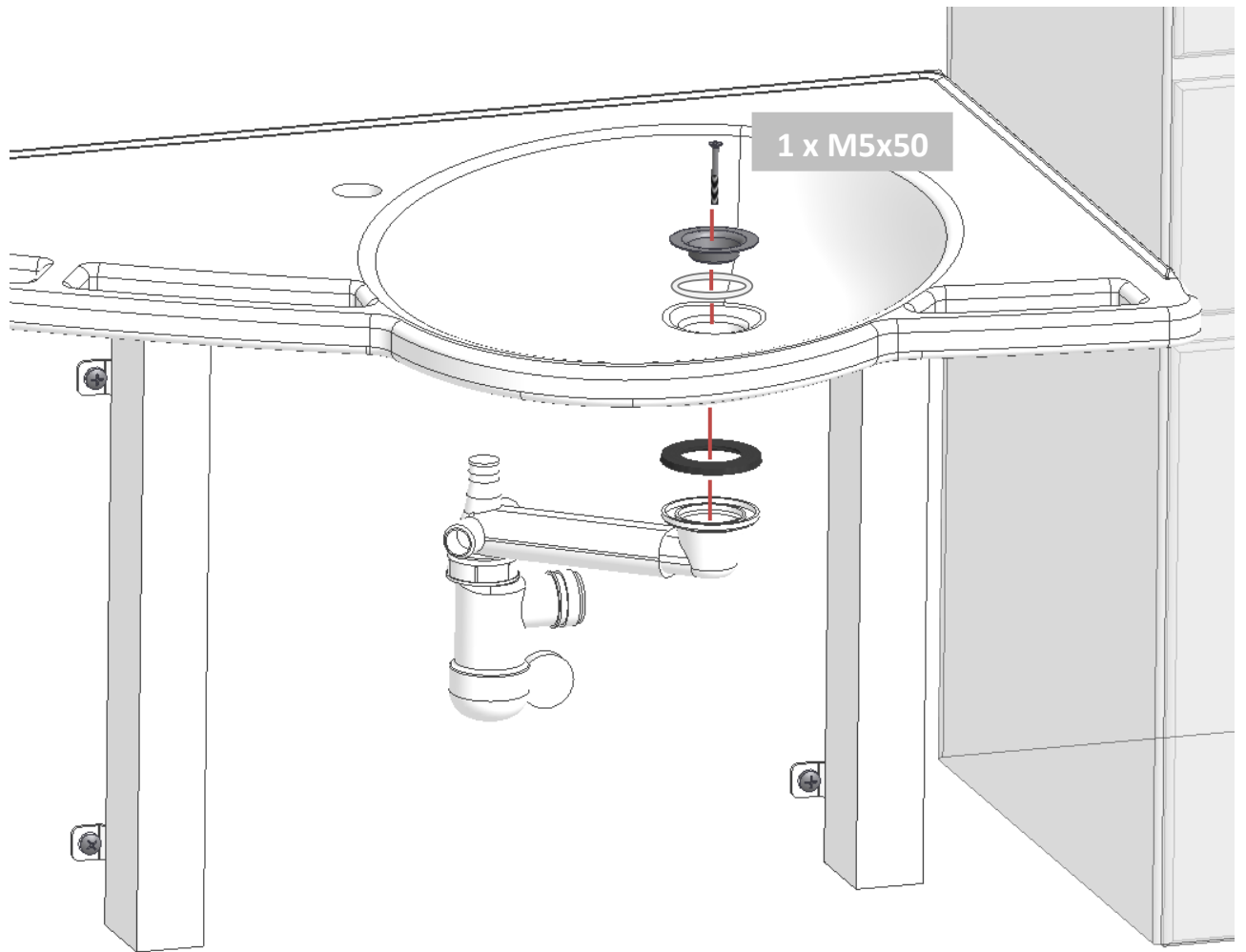


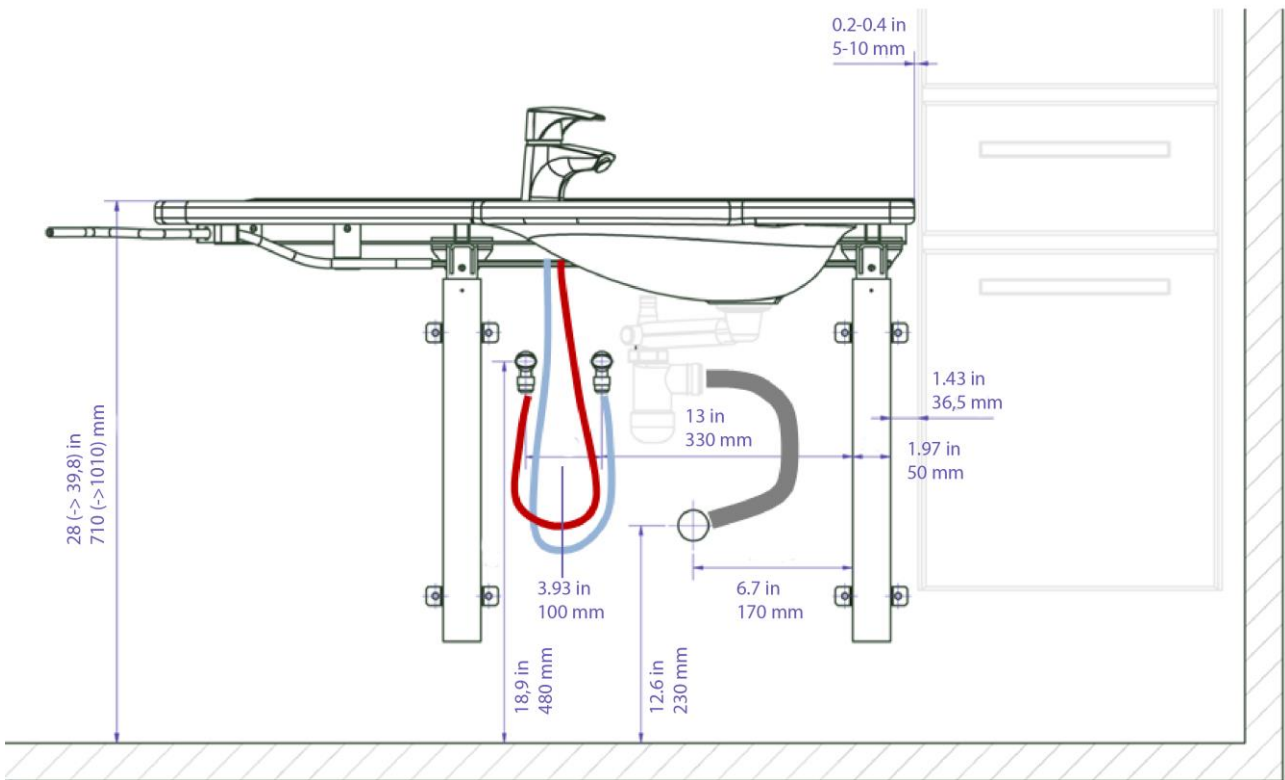
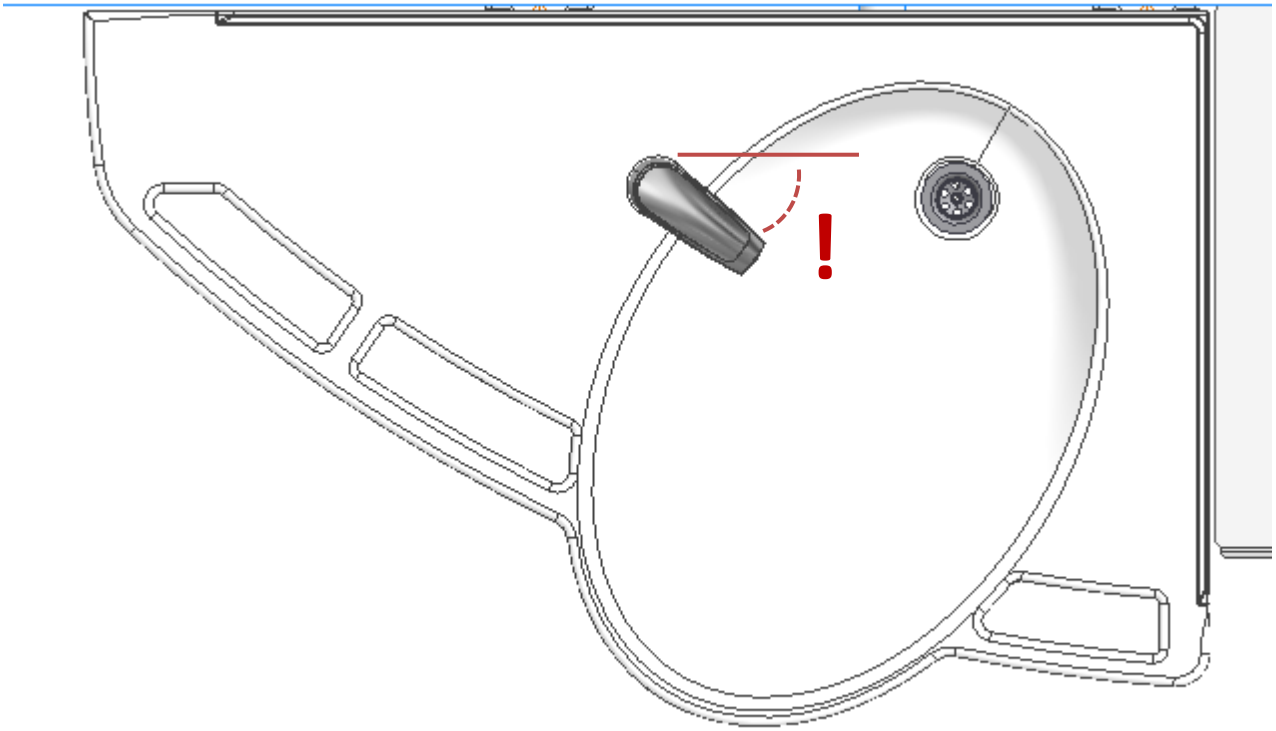
NOTE: Depending wall type, choose other suitable screws, as required.
 Max. load on upper screws: 155 lb/screw



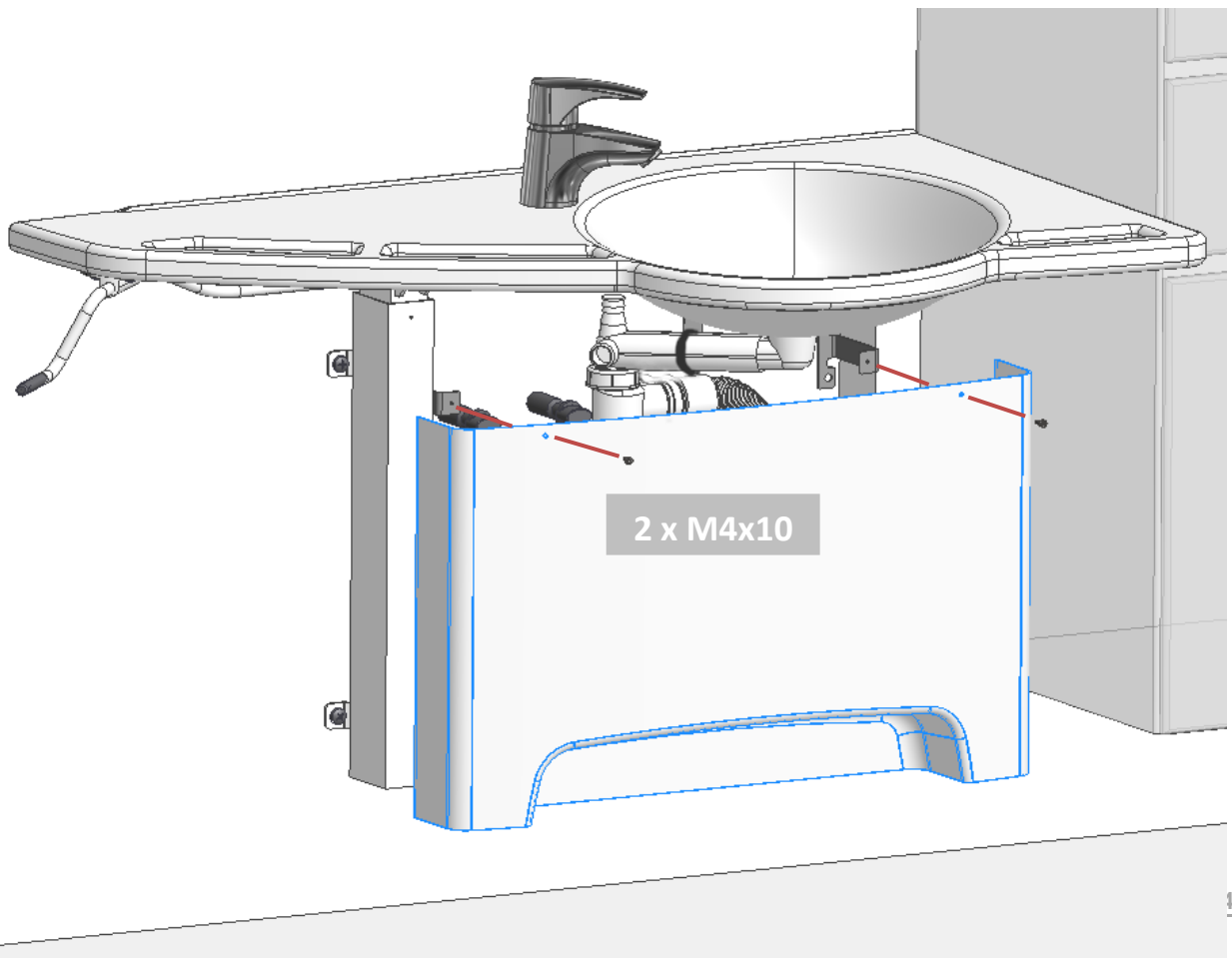
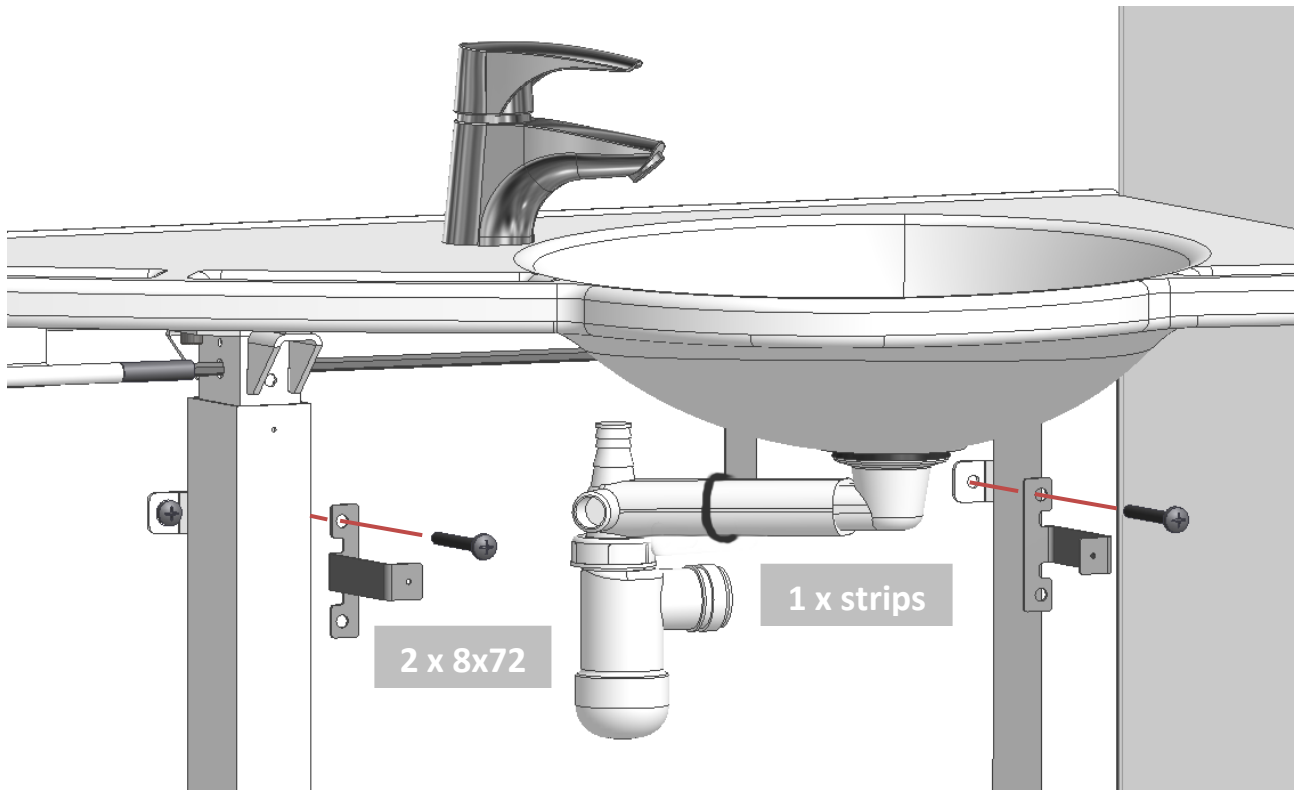


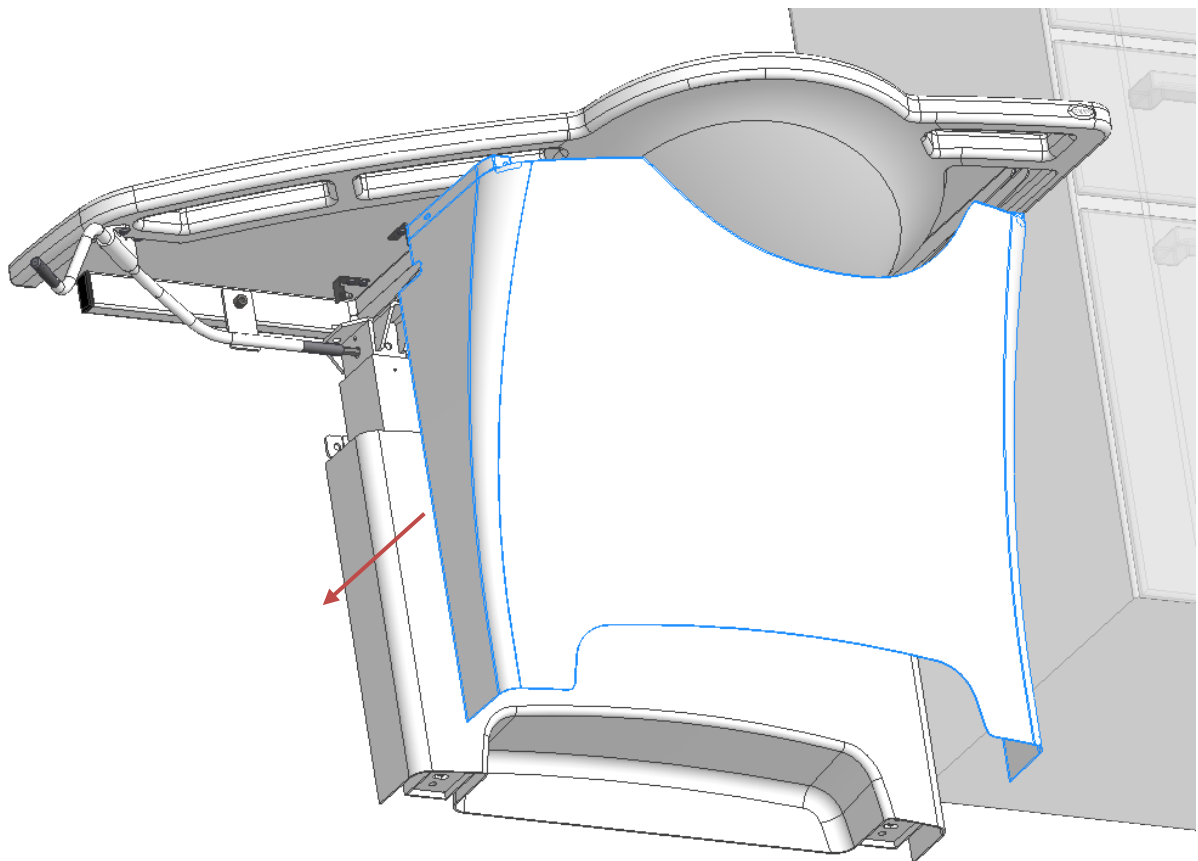
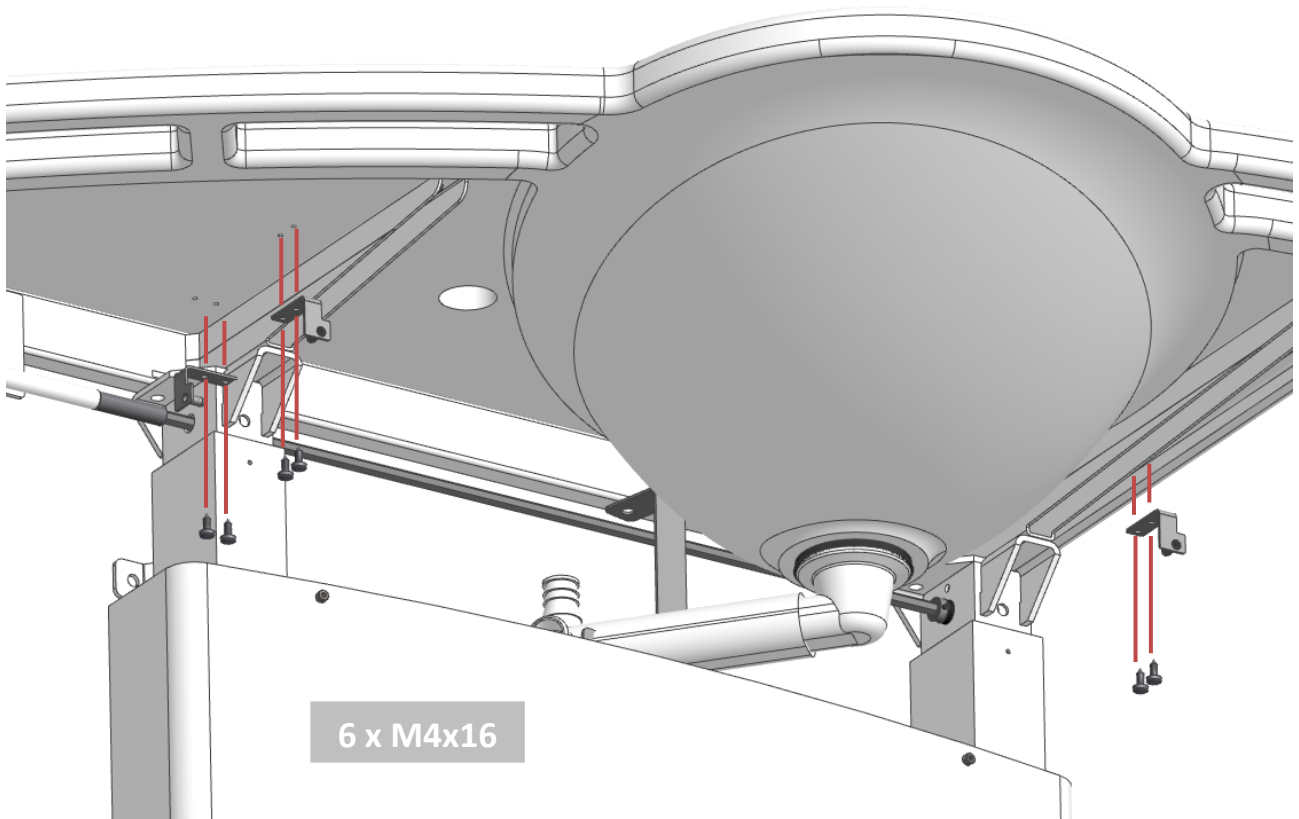
Tip: Move washbasin to top position to facilitate further mounting

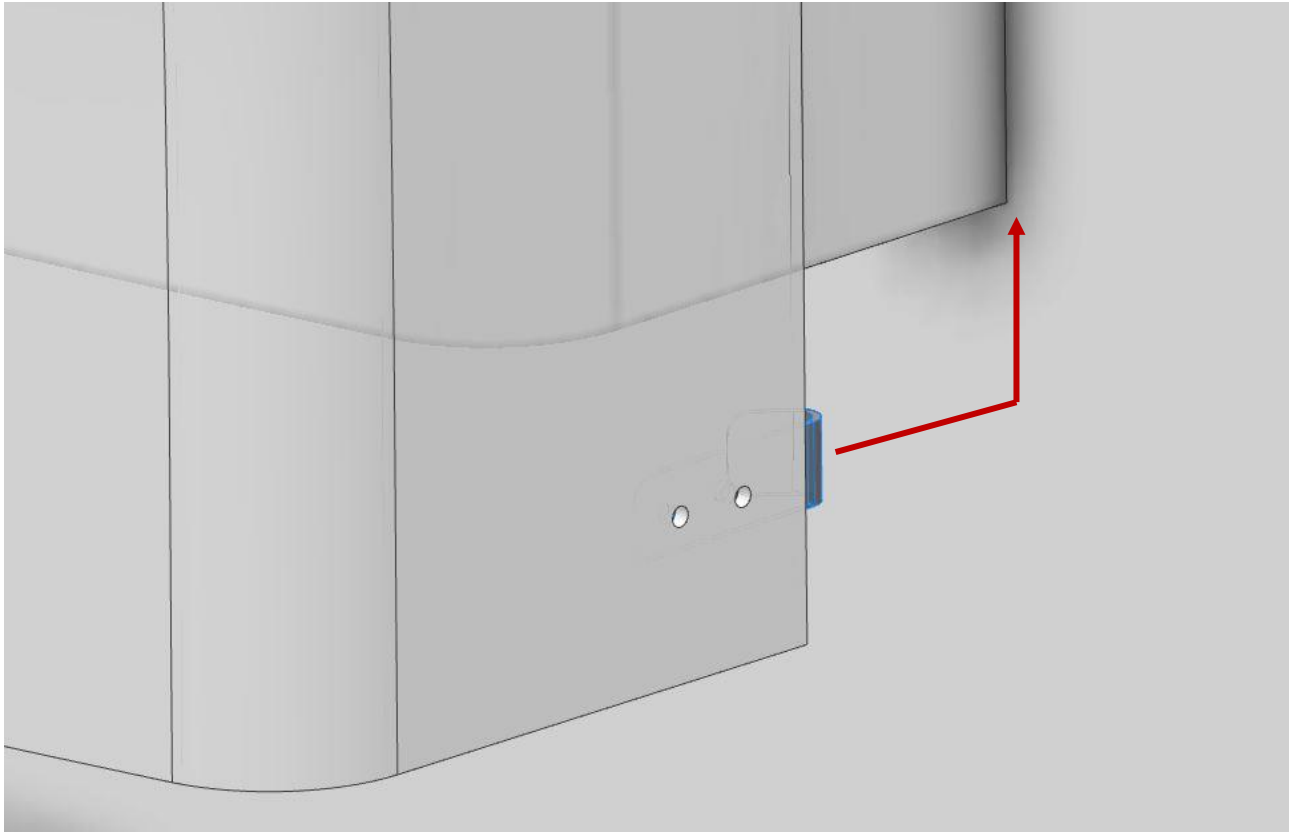


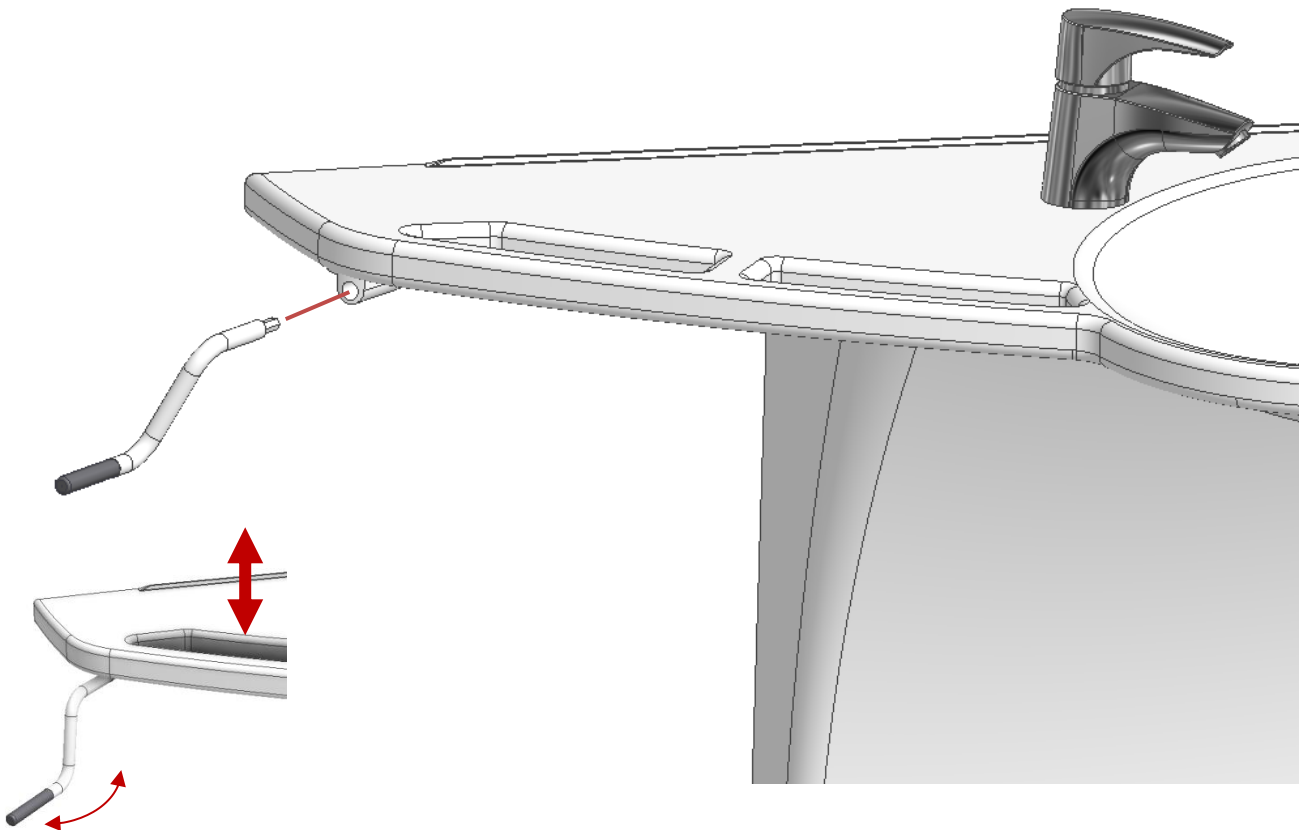
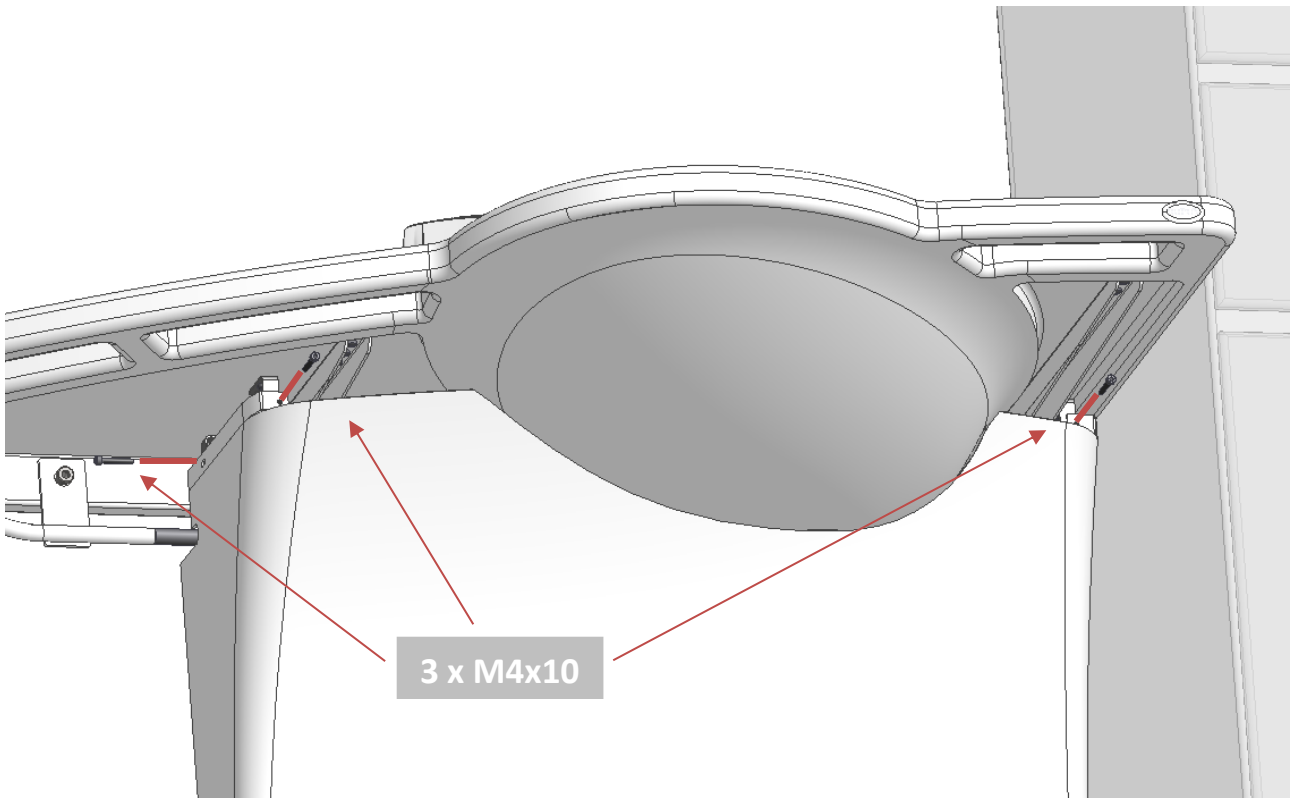


Mounting of covers for 40-44014/15





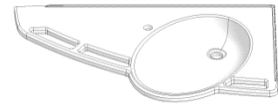




List of components

Ropox Support Washbasin, Fixed, left, 40-44010:

40*44010-064: Top plate with washbasin, left-oriented 1 (one)



Provided with:

40*44010-063: Fixed wall bracket, long 1 (one)



40*44010-062: Fixed wall bracket, short 1 (one)

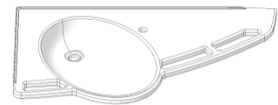


40*44010-048: Frame Basic side bracket 1 (one)



Ropox Support Washbasin, Fixed, right, 40-44011:

40*44010-070: Top plate with washbasin, right-oriented 1 (one)



Provided with:

40*44010-063: Fixed wall bracket, long 1 (one)



40*44010-062: Fixed wall bracket, short 1 (one)

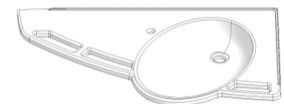


40*44010-048: Frame Basic side bracket 1 (one)



Ropox Support Washbasin, Basic height adjustment, left, 40-44012:

40*44010-064: Top plate with washbasin, left-oriented 1 (one)

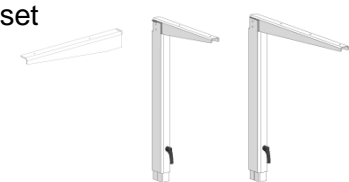


Incl.

40*44010-025
40*44010-026
40*44010-020
97800-022
97001631
40*44010-048

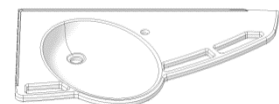
Basic height-adjustment brackets

1 (one) set



Ropox Support Washbasin, Basic height adjustment, right, 40-44013:

40*44010-070: Top plate with washbasin, right-oriented 1 (one)

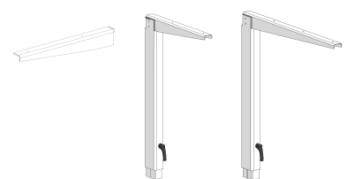


Incl.

40*44010-025
40*44010-026
40*44010-020
97800-022
97001631
40*44010-048

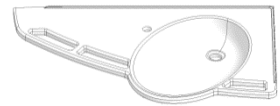
Basic height-adjustment brackets

1 (one)



Ropox Support Washbasin, Manual height adjustment, left, 40-44014:

40*44010-064: Top plate with washbasin, left oriented 1 (one)



Provided with:

Top frame, left oriented 1 (one)

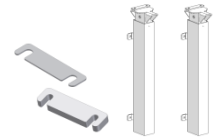
Incl.
40*44010-042
40*44010-057

Frame Manual support, left
Hand crank assembly left



30-67600: Flexi legs, Manual
Incl. Cover
Distance blocks

2 (two) sets



40*44010-038: Hexagonal shaft

1 (one)



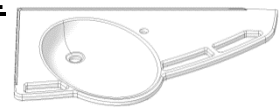
20*60320-548: Hand crank

1 (one)



Ropox Support Washbasin, Manual height adjustment, right, 40-44015:

40*44010-070: Top plate with washbasin, right-oriented 1 (one)



Provided with:

Top frame, right-oriented 1 (one)

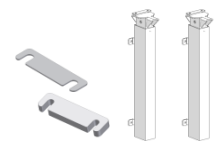
Incl.
40*44010-077
40*44010-082

Frame Manual support, right
Hand crank assembly, right



30-67600: Flexi legs, Manual
Cover
Distance blocks

2 (two) sets



40*44010-038: Hexagonal shaft

1 (one)




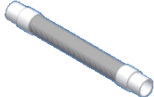



20*60320-548: Hand crank

1 (one)



9. Optional extras

40-44020 Water and drain kit


Incl. 97001601	Siphon	1 (one)	
97001162	Flexible drain hose ø32mm / 1.26" pipe stub	1 (one)	
97001035	ø32mm / 1.26" x88.5° angle	1 (one)	
97001120	Connecting hose, 1/2" x 1/2", 39,5 in:	2 (two)	
40*44010-098	Drain relief	1 (one)	


40-44021 Cover kit for fixed and basic, left-oriented

40-44022 Cover kit for fixed and basic, right-oriented


40-44027 Cover kit for manual, left-oriented

40-44028 Cover kit for manual, right-oriented

40-44040	Mixer tap, Oras Saga:	1 (one)	
Incl. 97001012	1/2"x3/8"	2 (two)	

40-44041	Auxiliary lever for Oras mixer tap Length of lever 15 cm / 5.9" from centre	1 (one)	
-----------------	---	---------	---

40-44044	Mixer tap, Damixa Clover Easy	1 (one)	
Incl. 97001101	Transition piece 10x1/2"	2 (two)	

40-44045	No-touch mixer tap Oras Electra 6250F	1 (one)	
Incl. 97001348	Oras Cu-tube	1 (one)	
97001101	1/2"x3/8"	2 (two)	

40-40935	Overflow plug	1 (one)	
-----------------	----------------------	---------	---
