



Ropox Support Washbasin

Fixed – Basic - Manual

USER MANUAL

Keep this manual with the product at all times

Contents:

1.	INTRODUCTION	3
2.	CONFORMITY WITH EU DIRECTIVES	3
3.	APPLICATION	3
	3.1 Operation	4
4.	TECHNICAL DATA.....	5
5.	DIMENSION SKETCHES	6
	BASIC HEIGHT ADJUSTMENT	6
6.	RECOMMENDED POSITIONING OF WATER AND DRAIN	7
	6.1 Connection adapters	10
7.	MOUNTING INSTRUCTIONS AND LIST OF COMPONENTS	11
8.	PERFORMANCE TEST	11
9.	SAFETY IN USE	11
10.	SERVICE AND MAINTENANCE	12
	10.1 Cleaning	12
	10.2 Cleaning of tabletop and washbasin	12
	10.3 Inspection	12
	10.4 Service schedule	13
11.	FAULT FINDING	13
12.	LIST OF SPARE PARTS	14
13.	OPTIONAL EXTRAS.....	14
14.	LABEL	15
15.	COMPLAINT	16



1. Introduction

Owing to its unique design, Ropox Support Washbasin provides additional support and easier access to the washbasin for wheelchair users and walking-impaired persons. The manual height adjustment facilitates frequent adjustment of the washbasin to suit several users. The height adjustment range of the adjustable models is 30cm/11.8in.

The ample space for knees and legs makes the washbasin ideal for wheelchair users, who obtain optimum mobility and a perfect working position.

The integrated grab handles facilitate access and allows the user to get close to the washbasin.



This manual must ALWAYS accompany the product and be read by and available to the user

Correct use, operation and inspection are decisive factors for effective and safe performance.

The manual must always be available to the user and must accompany the product in case of relocation.

2. Conformity with EU Directives

This product has CE marking and is thus in accordance with the basic requirements concerning functionality and safety according to the current Machinery Directive.

All models of Ropox Support Washbasin are manufactured in accordance with the current requirements of Directive No. 93/42/EEC concerning Medical Devices and belong to the lowest risk class 1

3. Application

Ropox Support Washbasin Basic and Manual may be adjusted in height for optimum working height for user and carer. Ropox Support Washbasin must NOT be used as a lifting table or person lifter.

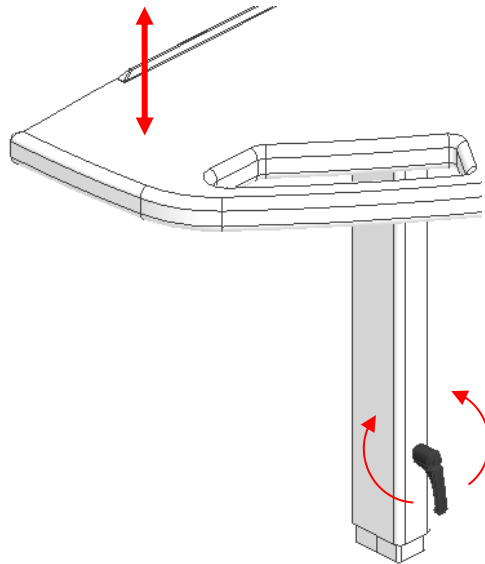
The product is designed for indoor use under normal room temperature and humidity as specified in Section 4.



3.1 Operation

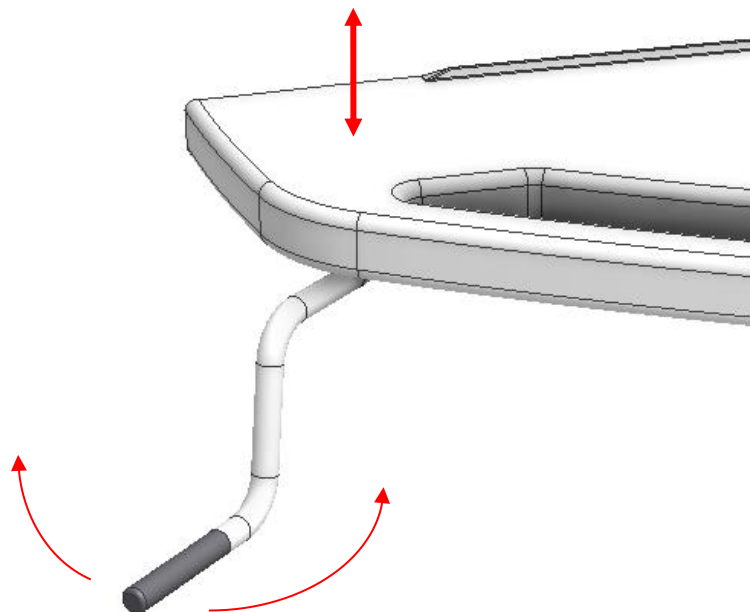
Basic height adjustment (applying to 40-44012/13)

The height of the washbasin may be adjusted by loosening the two handles. Note that the washbasin must be supported while loosening the handles in order to prevent it from falling to the bottom position. Covers, if any, must be removed before adjustment of these models.



Manual height adjustment (applying to 40-44014/15):

The height of the washbasin may be easily adjusted by means of the detachable hand crank.









4. Technical data

Product name:

Ropox Support Washbasin

Item number:

Item number	Name	Illustration
40-44010	Fixed (left)	
40-44011	Fixed (right)	
40-44012	Basic height adjustment (left)	
40-44013	Basic height adjustment (right)	
40-44014	Manual height adjustment (left)	
40-44015	Manual height adjustment (right)	

Adjustment range:

30 cm (71-101cm)/ 11.8in (28 – 39.8in)

Mixer tap:

The following optional extras are available:

Standard: Oras Saga

Standard with auxiliary lever: Oras Saga + auxiliary lever

Disabled mixer tap: Damixa Clover Easy

No-touch mixer tap: Oras Electra 6250F

Materials:

Frame: Welded steel pipes St. 37
Aluminium alloy 606045-T6
Various plastic components
Washbasin: Synthetic/marble composite
Cover: Vacuum-shaped ABS

Surface treatment:

Powder coating, RAL 9010 matte white, chromite, gel coat

Max. load:

Tested in accordance with DS/ISO 17966:2016, max user weight is 400kg/881lb

Temperature:

10-40° C / 50-104° F

Air humidity:

5-85 % (non-condensing)

Complaint:

See Complaint page 15

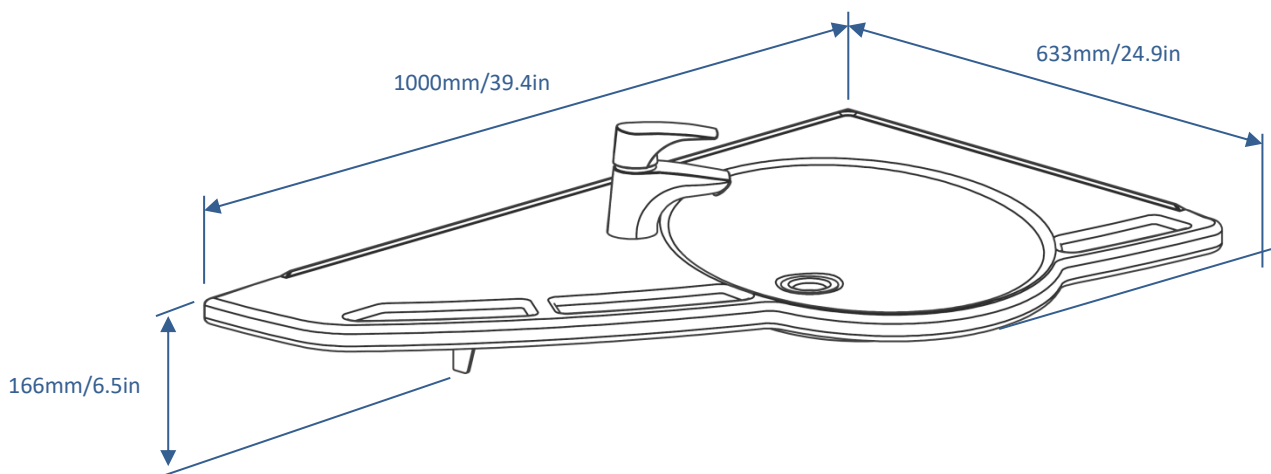
Manufacturer:

Ropox A/S, DK-4700 Næstved, Phone: +45 55 75 05 00
e-mail: info@ropox.dk, www.ropox.dk

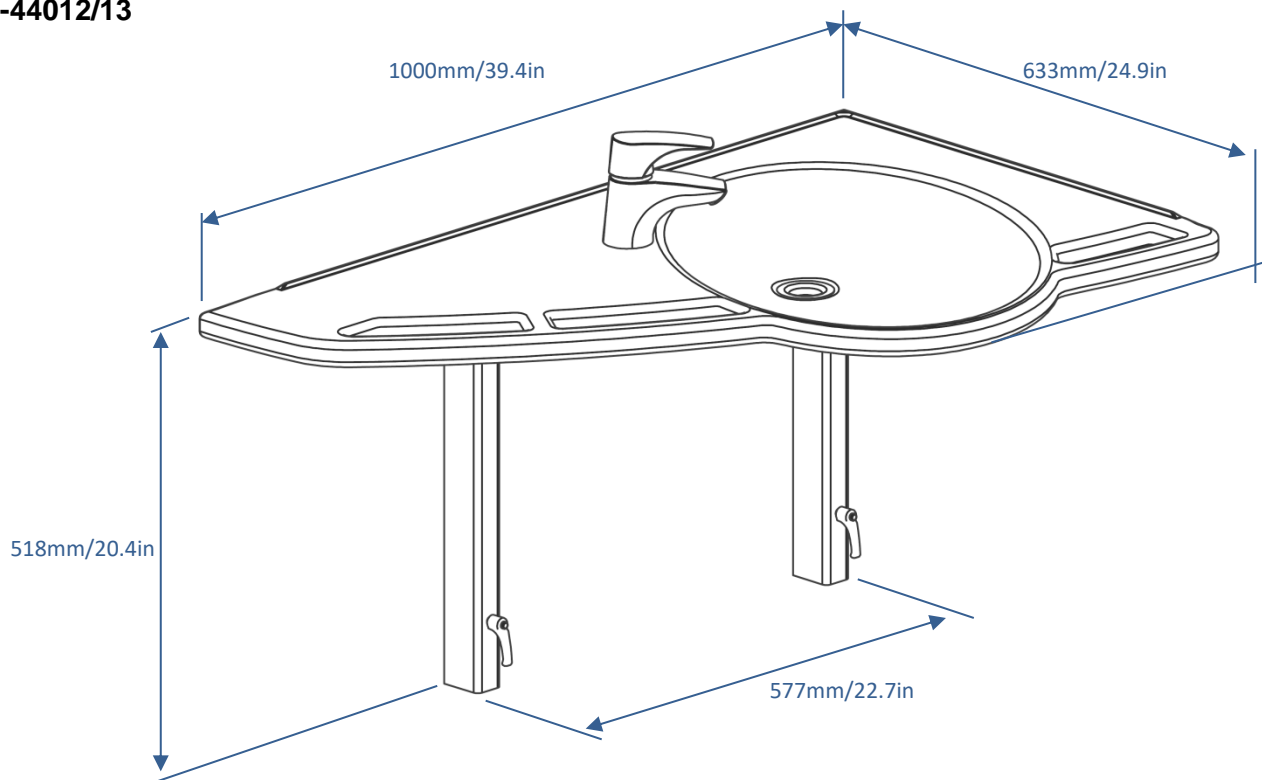


5. Dimension sketches

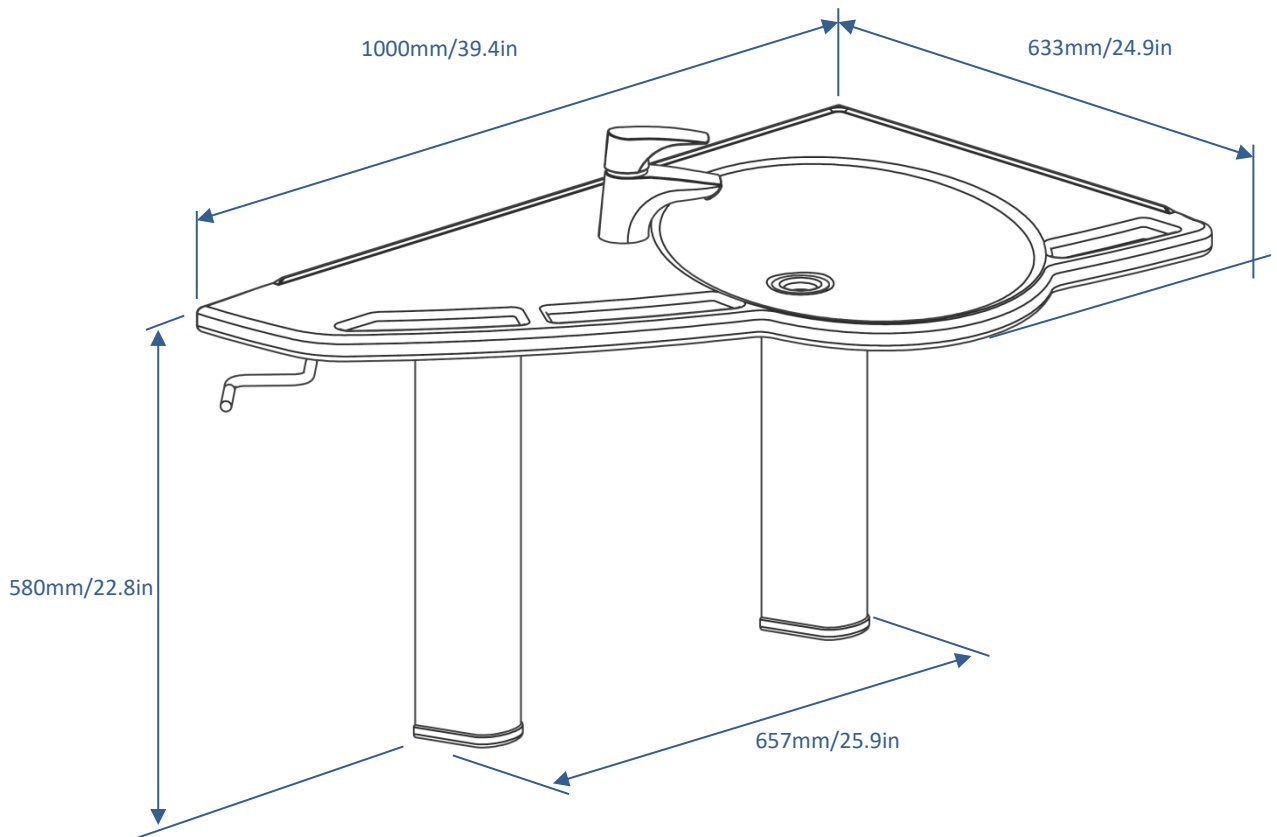
Fixed
40-44010/11



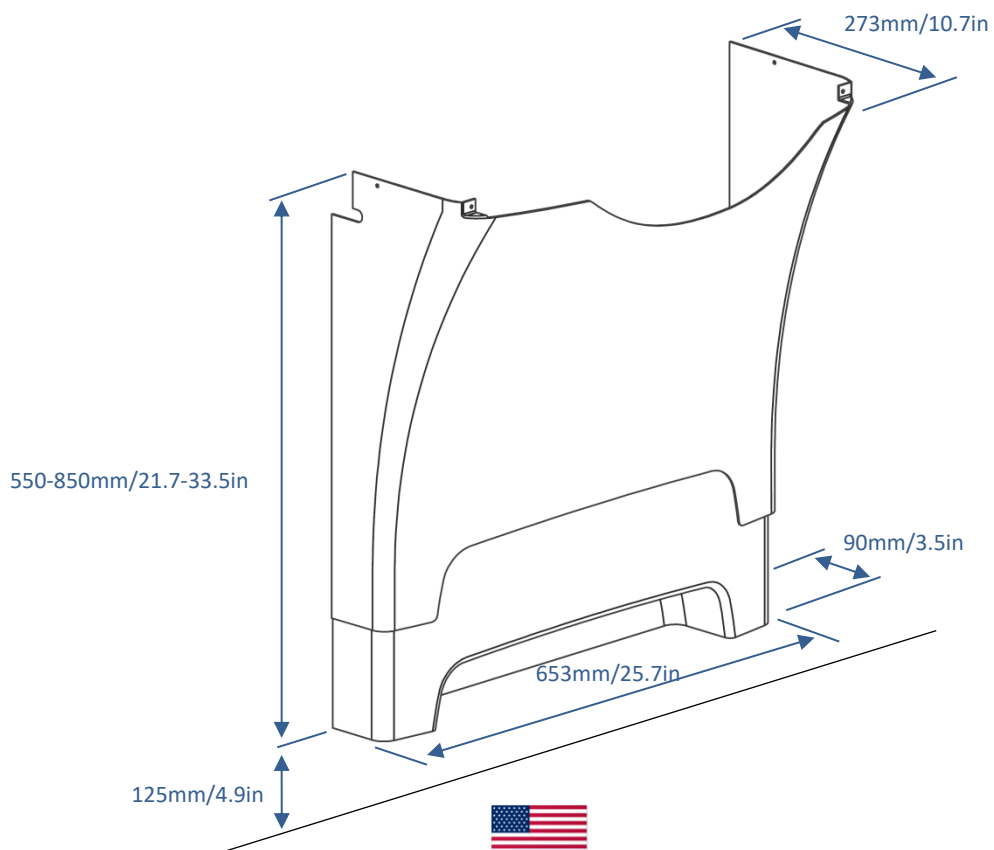
Basic height adjustment
40-44012/13



**Manual height adjustment
40-44014/15**

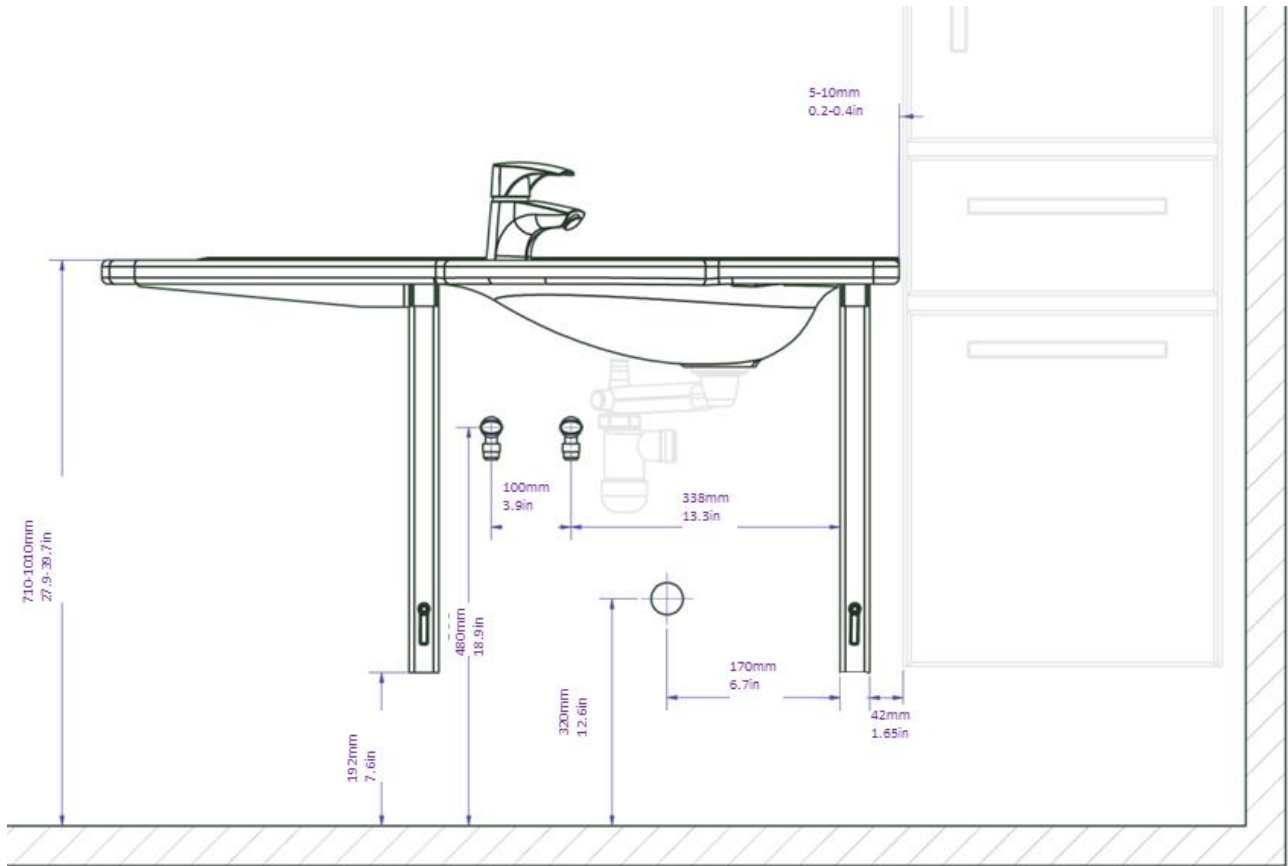


**Accessories – covers
40-44021/22**

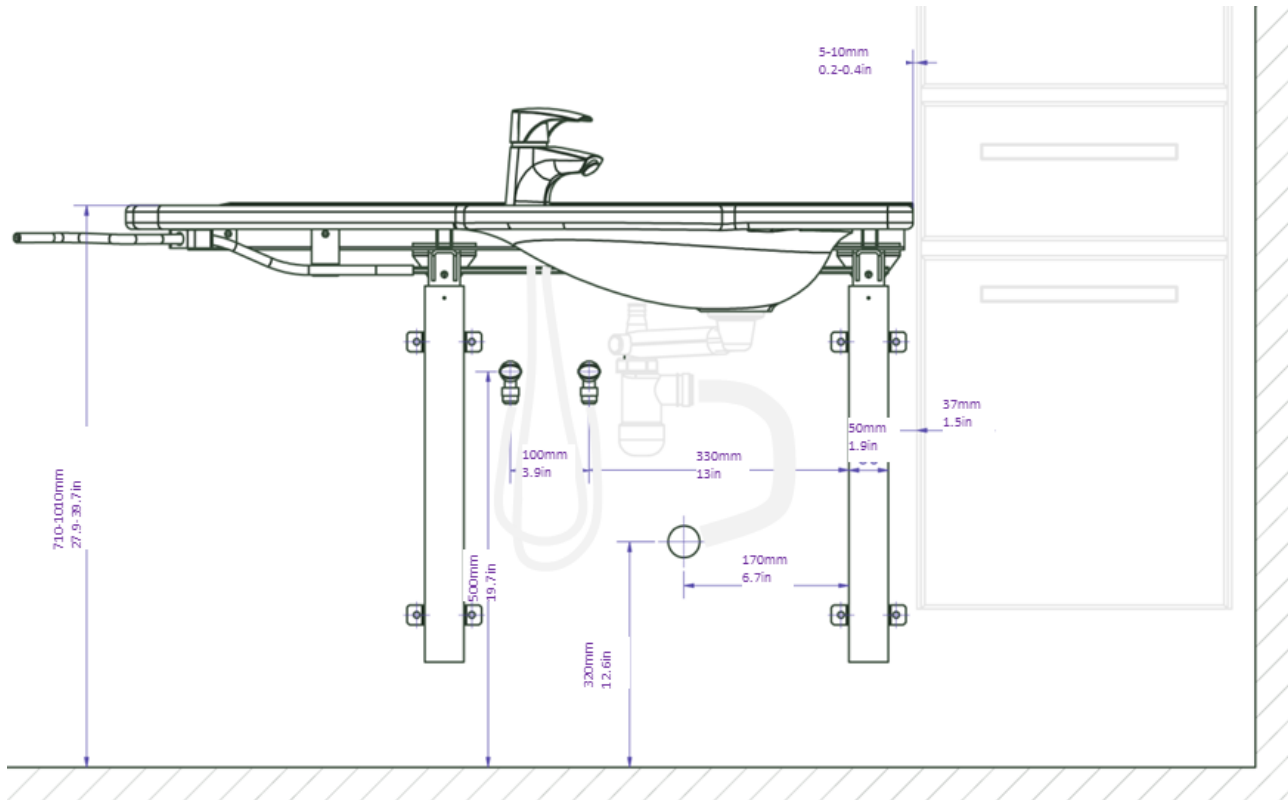


6. Recommended positioning of water and drain

Fixed and Basic height adjustment



Manual height adjustment



We recommend positioning of water and drain installations as illustrated. It is important that all hoses for water and drain installations are flexible to ensure unhindered movement of the frame within the height adjustment range from 71-101 cm/28 – 39.8in (including washbasin).

Drain may also be positioned in the floor.









It is recommended to position the fixed water intake on the wall so that it points downward at a height of max. 50 cm/19.7in from the floor. This ensures positioning of the flexible hoses close to the wall without folds. A 90° valve with ½” thread is recommended.







6.1 Connection adapters

The highlighted components can be bought separately depending on the type of building installation requirements.







Water supply

Hoses from basin	Adapters	Installation in room (not included)
 1/2"	No adapter necessary	 1/2" Thread
	 1/2" -> 3/8" Item no. 97001670	 3/8" Thread
	 1/2" -> 15mm Item no. 97001666	 15mm/1/2" Pipe


Water hose extensions

Hose from basin	Coupling piece	Extra hose
	 1/2" -> 1/2" Item no. 97001662	 1/2" x 1/2", 0,5m, steel Item no. 97001123
		 1/2" x 1/2", 1m, plastic Item no. 97001120

Drain

Drain pipe from basin	Adapters	Installation in room (not included)
 Ø32	No adapter necessary	 Ø32/
	 Ø32 -> Ø40 Item no. 97001660	 Ø40
	 Ø32 -> Ø50 Item no. 97001661	 Ø50

Drain pipe extensions

Drain pipe from basin	Coupling piece	Extra drain pipe
 Ø32	 Ø32-Ø32 Item no. 97001662	 Ø32 Flex hose, 27-62cm/10.6-24in Item no. 97001162
		 Ø32 Flex hose, 40-110cm/16-43in Item no. 97001161



7. Mounting instructions and list of components

See separate Mounting Instructions.

NOTE:

When mounting screws in the wall, always consider the strength and nature of the wall. The screws provided are only intended as a guide for installation on a reinforced wall with a view to the maximum screw loads specified in the Mounting Instructions.

8. Performance test

After completed installation and before use, all functions of the Ropox Support Washbasin must be tested. After that, a performance test must be carried out at least once a year by competent personnel.

1. Check that the mounting instructions have been observed.
2. Check that all bolts and screws have been tightened.
3. Check that all drains and hoses have been correctly connected.
4. Ensure that there is no load on the frame.
5. Ensure that there are no objects preventing the frame from moving freely within the height adjustment range.

When these tests have been carried out successfully, Ropox Support Washbasin is ready for use. See Section 9 "Safety in use".

9. Safety in use

- Ropox Support Washbasin must only be adjusted in height by persons who have read and understood these instructions.
- Some models of Ropox Support Washbasin are height-adjustable and must not be used as a lifting table or person lifter.
- Always use the washbasin in a manner excluding the risk of damage to persons or property. The person operating the washbasin is responsible for avoiding damage or injury.
- If the washbasin is used in publicly accessible locations where children or persons with reduced observation capacity may get near it, the person operating the washbasin must pay attention to those present in order to prevent dangerous situations.
- Make sure that there is free space above and below the washbasin to allow height adjustment.
- Do not overload Ropox Support Washbasin and make sure that the load distribution is correct.
- Do not operate the washbasin in case of defects or damage.
- Modifications, which may influence the performance or design of Ropox Support Washbasin, are not allowed.
- Installation, service and repairs must be carried out by competent personnel.
- During inspection, service or repairs any load must be removed from Ropox Support Washbasin.



10. Service and maintenance

10.1 Cleaning

During use, the product may get dirty. It is very important to clean the product as described in these instructions.

Wipe Ropox Support Washbasin with a wrung cloth with lukewarm water and a mild detergent. Do not use enchanths, abrasives or grinding cloths, brushes and sponges.

10.2 Cleaning of tabletop and washbasin

Ropox Support Washbasin is made of a composite material of marble and plastic granulate with a gel coat surface. This gives a hard and very hardwearing finish, which is easy to clean. Wash the surfaces daily with water and dry with a cloth. Do not use detergents containing hard abrasives – e.g. steel wool, scouring powder or sulphuric acid.

If the water has high calcium content, calcareous deposits will often occur. These deposits should be removed at least once a week by using a detergent containing citric acid, acetic acid or phosphoric acid. Leave the detergent to work for 5 to 10 minutes depending on the thickness of the deposits and clean thoroughly with a soft scouring sponge.

Disinfection of the basin may be done with household spirits.

10.3 Inspection



Inspections, service and repairs must be carried out by competent personnel

The frame of Ropox Support Washbasin is maintenance-free. Moving parts have been lubricated for life. For reasons of safety and reliability, we recommend inspection of the frame once a year.

Annual inspection:

- Check that all bolts and screw have been securely tightened.
- Check that the frame moves freely and without problems from bottom to top position.
- Check that water hoses and drain hoses are tight and functional.

After each inspection, complete the service schedule. See Section 10.5.



Only use Ropox original spare parts for replacement. If other spare parts are used, the whole guarantee may become void.



10.4 Service schedule

Service and maintenance Serial No.
Date:
Signature:
Comments:

Service and maintenance Serial No.
Date:
Signature:
Comments:

Service and maintenance Serial No.
Date:
Signature:
Comments:

Service and maintenance Serial No.
Date:
Signature:
Comments:

11. Fault finding

a) The frame seems loose or unstable

1. The assembly screws of the frame have not been securely tightened.
2. Retighten all screws of the frame according to the mounting instructions.

b) The washbasin cannot be adjusted in height / adjustment is very difficult

1. Check that there are no jammed objects preventing adjustment.

c) It takes too long for the water to leave the washbasin

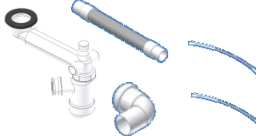
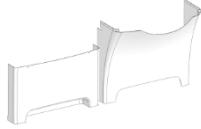
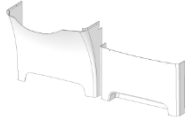





1. Check the siphon for clogging and clean it, if required.
2. Check that the flexible hose on the wall has not been positioned so high that it acts as an extra siphon. Cf. recommendation, Section 6.



12. List of spare parts

<p>Handle M6 Item No. 96000177 Applies to 40-44012/13 only</p>	
<p>Hand crank Item No. 20-60320-548 Applies to 40-44014/15 only</p>	

13. Optional extras

<p>Water and drain kit Item No. 40-44020 Excl. of mixer tap</p>	
<p>Cover plate kit, left Item No. 40-44021 (Applies to Fixed and Basic models) Item No. 40-44027 (Applies to Manual model)</p>	
<p>Cover plate kit, right Item No. 40-44022 (Applies to Fixed and Basic models) Item No. 40-44028 (Applies to Manual model)</p>	
<p>Mixer tap Oras Saga Item No. 40-44040</p>	
<p>Auxiliary lever for Oras Saga mixer tap Item No. 40-14680</p>	
<p>Mixer tap, Damixa Clover Easy Item No. 40-44044</p>	
<p>No-touch mixer tap, Oras Electra 6250F Item No. 40-44045</p>	
<p>Ropox overflow plug Item No. 40-40935</p>	



14. Label

Each unit has a label of its own as illustrated. This label contains important information to be stated in connection with inquiries to the supplier. For positioning of the label, see drawing of spare parts.



Symbols:



The user manual must be read before use.



Waste must be sorted – if possible, for recycling.



Ropox is the manufacturer of the product in question.



CE marking. This product meets the requirements for *General Safety and Functionality* of the current EU Directives and Standards.



15. Complaint

See General Terms of Sale and Delivery on www.ropox.dk



ROPOX A/S

Ringstedgade 221
DK – 4700 Næstved

Tel.: +45 55 75 05 00 Fax.: +45 55 75 05 50

E-mail: info@ropox.dk
www.ropox.dk

