

”Making it safe and comfortable to take a shower”



ROPOX SHOWER/CHANGING BED

SAFE AND EASY TO USE

The shower/changing bed gives the user optimum comfort and safety, and the helper gets the best possible working position. This provides security and satisfaction for both parties.

The bed is made of double-sided slats. One side of the slat curves slightly downwards ensuring a safe position for the person bathing. The other side curves slightly upwards making it easy for a helper to turn the user on the side when using the bed for changing clothes.

It is easy to adjust the height of the bed with the hand control, and the bed can quickly be adjusted to the best position, e.g. for a wheelchair so transferring a user onto the bed is smooth and easy.

The shower/changing bed is cleaning-friendly, and can be folded up when not in use to save space in the bathroom.


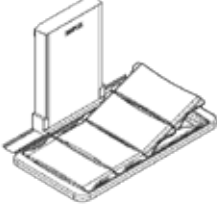
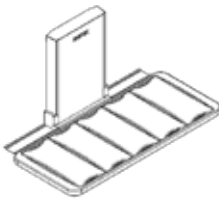
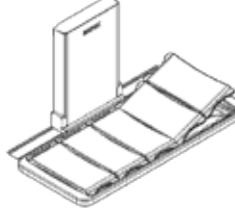


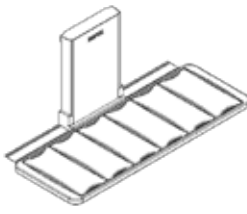
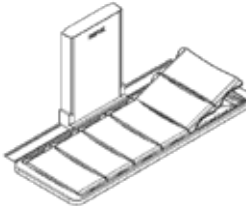
ROPOX SHOWER/CHANGING BED

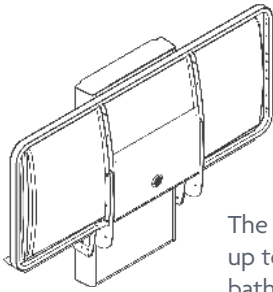
Height adjustment: 70 cm (30-100 cm) above floor

Maximum load: 220 kg cf. DS/EN 17966:2016

VARIANT/MODEL

SHOWER/CHANGING BED - 146 CM		SHOWER/CHANGING BED - 178 CM	
			
Without back support Item no.: 40-25023	With back support Item no.: 40-25073	Without back support Item no.: 40-25026	With back support Item no.: 40-25076

SHOWER/CHANGING BED - 210 CM	
	
Without back support Item no.: 40-25029	With back support Item no.: 40-25079

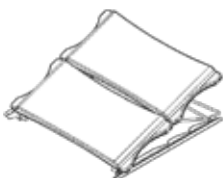


The bed can be folded up to save space in the bathroom.

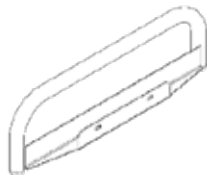
The shower/changing bed includes an electrical hand control for easy height adjustment.
The lying area is 18 cm shorter than the length of the shower/changing bed.
Bed and end guards can be mounted if needed. The transparent bed guard keeps the water spillage to a minimum.

ACCESSORIES

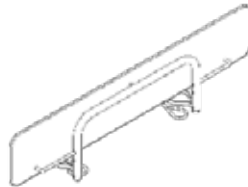
Back support
Item no.: 40-25031



End guard
Item no.: 40-25038



Bed guard
Item no.: 40-25036



Headrest
Item no.: 40-25090



NB! Find more information about measurements, technical data, installation interfaces and much more under the product and in the instruction manuals on our website.

The items are produced according to the following Standard: EN/EN17966-2016.

ROPOX A/S · Ringstedgade 221 · 4700 Naestved, Denmark · Phone: +45 5575 0500 · info@ropox.com · www.ropox.com

ROPOX
BETTER WAYS TO BETTER DAYS

No.1962312-0221