

”Makes it easy
to reach the washbasin ”



ROPOX SWINGLINE

A FLEXIBLE WASHBASIN THAT MAKES IT EASY TO WASH HANDS

The swing washbasin is recommended for both seated and standing users. You can adjust the height and rotate it 180°, and you can pull it to the user.

Walking-impaired users are particularly content with this washbasin because it can be pulled to the toilet. This means that they do not have to get up to use it, but instead, they can safely wash their hands while seated on the toilet.

The swing washbasin is also very practical for wheel-chair users. You can move the basin when required, e.g. push the washbasin to the corner when you need extra room for turning the wheelchair.

The swing washbasins with a lifting unit can easily be adjusted in height when needed. The simple design without any dirt traps makes it easy to clean.



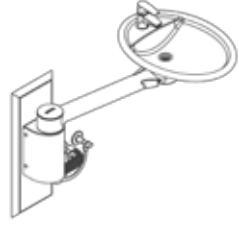
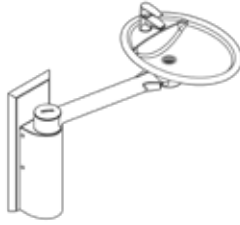


ROPOX SWINGLINE

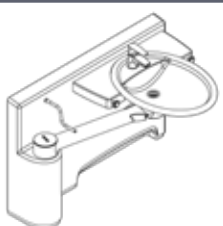
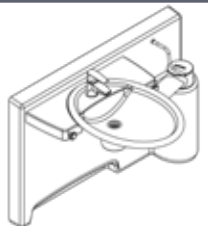
Height adjustment: 15 cm without Dock-In
20 cm with Dock-In

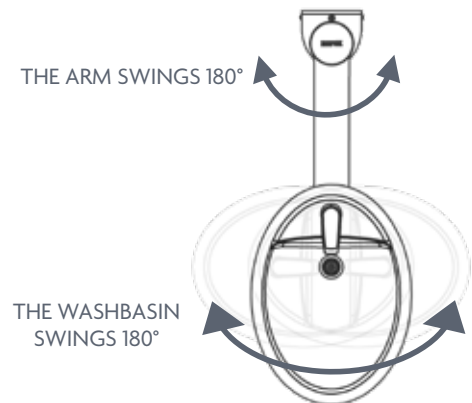
Max. user weight: Tested acc.to DS/ISO 17966:2016
max. user weight 245 kg in
and 80 kg without Dock-In

VARIANT/MODEL

6969		⊙	ACCESSORY
			
Visible installation Item no.: 40-41110	Hidden installation Item no.: 40-41120		Fixed height Dock-in Item no.: 40-40069

WASHBASINS – HEIGHT ADJUSTABLE		⊙	ACCESSORY	
				
Visible installation Item no.: 40-41130	Hidden installation Item no.: 40-41140		Flexible handle Item no.: 40-42170	Height adjustable Dock-in V-nr.: 40-40069

WASHBASINS – HEIGHT ADJUSTABLE WITH DOCK-IN		⊙
		
Left hand model Item no.: 40-40072	Right hand model Item no.: 40-40071	



ACCESSORIES

Plug with overflow
Item no.: 40-40935



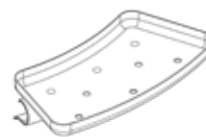
Accessory kit without wall
bracket/with wall bracket
Item no.: 40-41145/40-41150



Extended lever
mixer tap
Item no.: 40-44041



Accessory tray
Item no.: 40-41146



Trap
Item no.: 40-41170



Please note that all parts are suitable for dish washer/Autoclave.

NB! Find more information about measurements, technical data, installation interfaces and much more under the product and in the instruction manuals on our website.

The items are produced according to the following Standard: DS/ISO 17966:2016.

ROPOX A/S · Ringstedgade 221 · 4700 Naestved, Denmark · Phone: +45 5575 0500 · info@ropox.com · www.ropox.com

ROPOX™
BETTER WAYS TO BETTER DAYS

No.1962305-0221