

”The optimum choice for therapy and training sessions”

ROPOX ERGO MULTI TABLE

COMFORTABLE SEATING FOR TWO PERSONS AT THE SAME TIME

The Ergo Multi Table is ideal for training and therapy sessions where two people are sitting facing each other. The two ergonomic curves on the table sides provide for a healthy sitting position for a user and a therapist at the same time and even in situations where the two sit at the same side of the table, the table's design caters for the best possible sitting posture for both.

As there are no cross bars under the table top, wheelchair users have no problem getting close to the table and into a comfortable position.

When you click the crescent-shaped table piece into the cut-out on the table top, the table only has a cutout on one side making it a perfect desk type table.

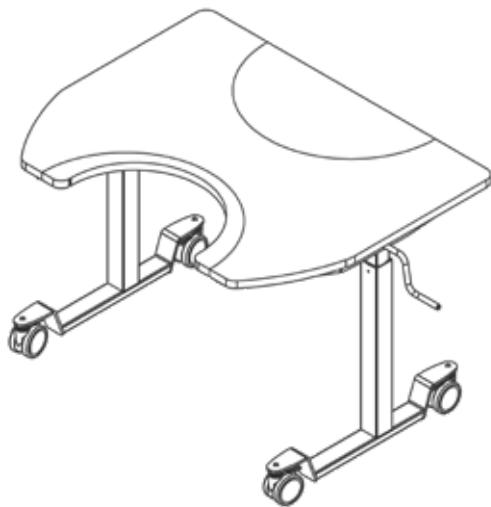
ROPOX MULTI TABLE

Max. load capacity:	100 kg
Height:	56-90 cm incl. wheels
Depth:	70 cm
Width:	90 cm
Inner Width:	73,6 cm
Frame Colour:	Silver Grey

TECHNICAL INFORMATION

SIZE	ITEM NO.
90 x 70 cm	20-70410

All tables are height adjustable from 56-90 cm by means of a detachable handle. The standard version of the table comprises a boomerang system which allows easy change of the cut out sizes between 30/40 cm diameter or using the half moon completely fill the cut out.



ACCESSORIES (INCL. WHEN PURCHASING THE TABLE)

Boomerang \varnothing 30 cm
Item: 20-30523

Boomerang \varnothing 40 cm
Item: 20-30525

Half moon-shaped
Item: 20-30527

Brake wheels
Item: 20-70516

