

”Occasional adjustment
to suit your height”



FLEXIBASIC

YOUR KITCHEN WILL REACH NEW HEIGHTS

Manually height adjustable using a lifting unit.
The lifting unit can be used throughout a development
with a caretaker or handyman making the adjustment.

Especially suited to sheltered accommodation where
lots of kitchens are able to have some adjustment built
in to their design

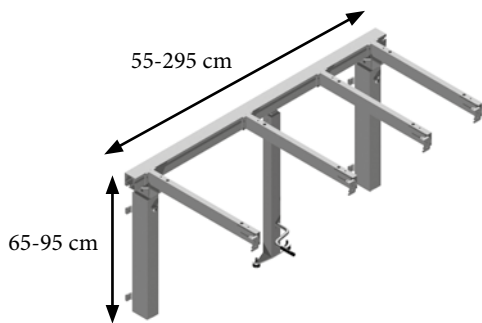
The FlexiBasic system can be adjusted between standing
and seated users as the person's needs may change.



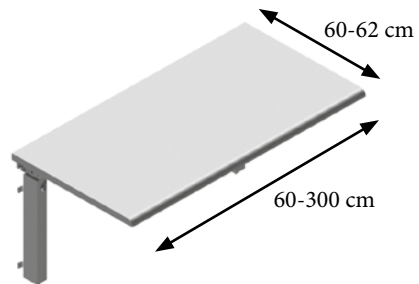
FLEXIBASIC

Max. load: 150 kg evenly distributed
 Height: 65-95 cm
 Length: 60-300 cm
 Colour: RAL 9010

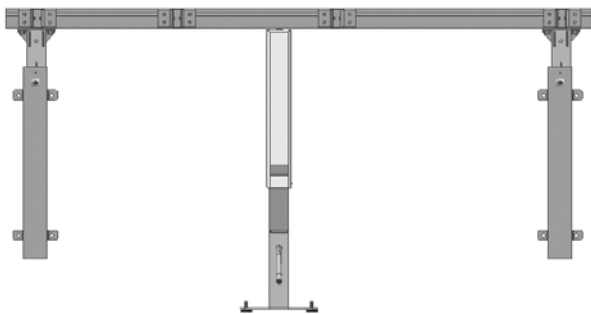
FlexiBasic – frame for worktop with lift unit



FlexiBasic – frame including worktop



MODELS/ITEM	30-63060/ 30-63100	30-63105/ 30-63150	30-63155/ 30-63200	30-63205/ 30-63250	30-63255/ 30-63300
LENGTH OF WORKTOP	60-100 cm	105-150 cm	155-200 cm	205-250 cm	255-300 cm



FlexiBasic – viewed from front with lift unit

ACCESSORIES

Lift unit
30-63402



Cover for installation
30-67635



Tips:

- Leg and tabletop support arms can be moved sideways leaving space for various inset hobs or sinks.
- Use fascia panels of 6-8 cm under the tabletop in order to hide the tabletop support arms.

ROPOX A/S · RINGSTEDGADE 221 · 4700 NÆSTVED, DENMARK
 PHONE: +45 5575 0500 · INFO@ROPOX.DK · WWW.ROPOX.COM

ROPOX™

BETTER WAYS TO BETTER DAYS

– A PART OF AddLife®

The items are produced according to the following Directives and Standards: DS / ISO 17966:2016