

# Installation interfaces

## ROPOX BATHROOM PRODUCTS

# Contents

---

ROPOX SWING WASHBASIN .....	2
ROPOX SUPPORT WASHBASIN .....	11
ROPOX SLIMLINE WASHBASIN.....	18
ROPOX STANDARDLINE WASHBASIN .....	19
ROPOX ADAPTLINE WASHBASIN.....	20
ROPOX SHOWER SEAT .....	21
ROPOX TOILET LIFTER .....	24
CONNECTION ADAPTERS – SWING WASHBASIN .....	28
CONNECTION ADAPTERS – OTHER WASHBASINS .....	29



The dimension sketches are intended as guidelines only.  
For final dimension drawing, always refer to plan drawing  
of the specific project.

# Ropox Swing Washbasin

## Fixed, Short cover – plumbing visible

(40-41110)

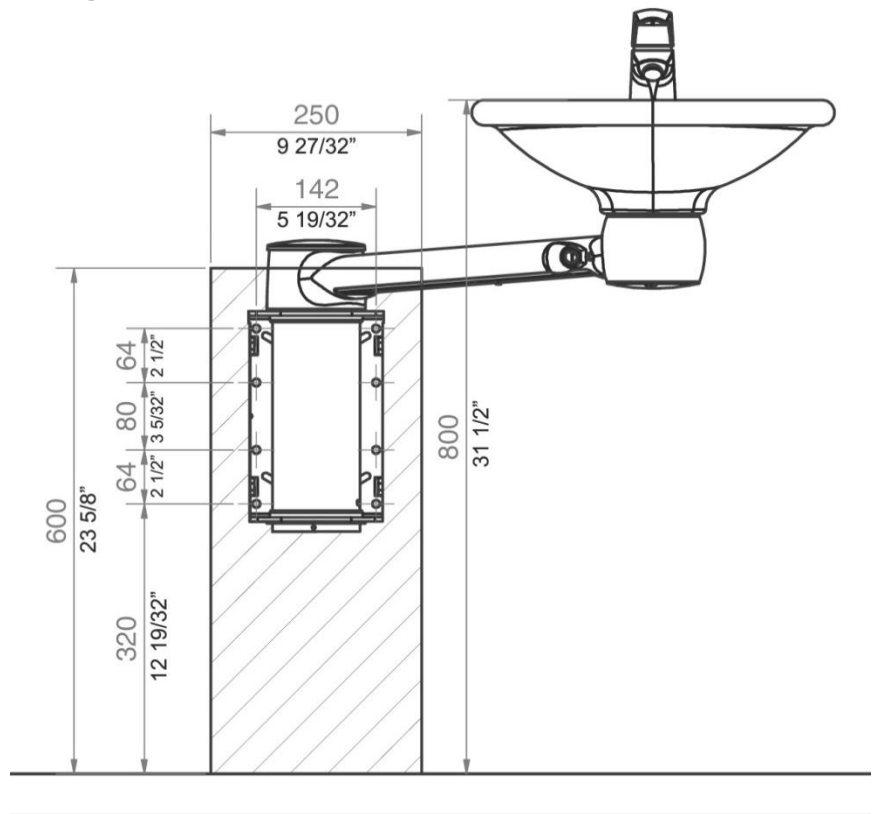
### CONSTRUCTION

The wall must be made of a material suited for screw mounting and approved for damp rooms. The hatched area is the minimum area for reinforcement of the wall. Reinforcement from floor to ceiling is advisable.

Load-tested according to DS/ISO 17966 the maximum user weight is 80kg (176 lbs).

**Max. tensile load of upper screws**  
88kg/screw (194lbs/screw)

The washbasin is supplied with a set of 8 screws and rawplugs suitable for mounting on a concrete wall. The fitter should always consider the material, condition and strength of the wall and use screws and rawplugs suitable for the specific wall type.



### PLUMBING

The drain hose is a flexible Ø32 (1 ¼") hose.

The water supply ends in 2 (two) 90° shut-off valves with ½" or 3/8" outside thread pointing downward (not included).

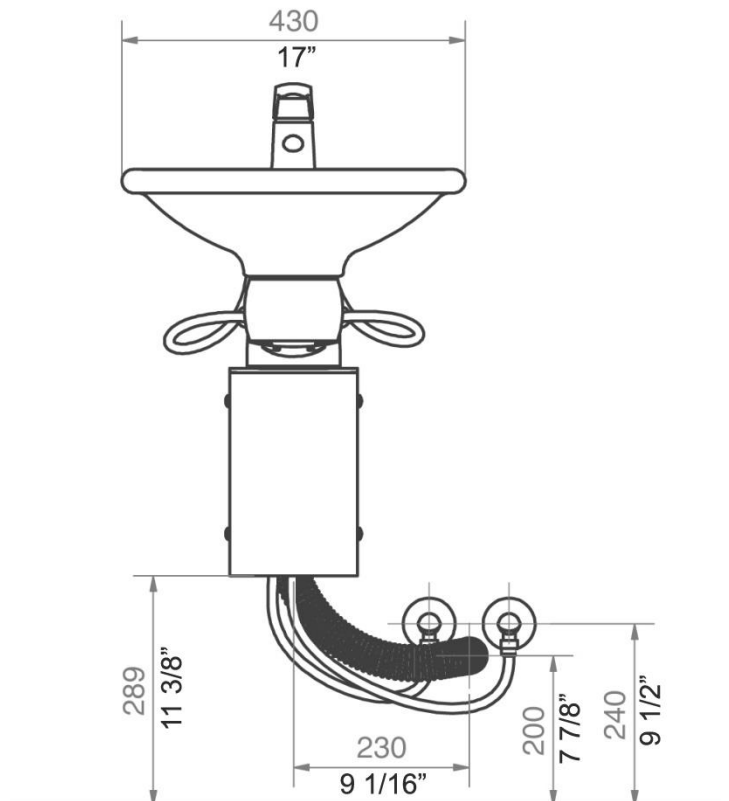
The flexible water connection hoses from the washbasin end in Ø10 pipes. Adapter fittings from these pipes to the shut-off valves are available with Ropox and as standard plumbing components.

If a location of the drain higher than the recommended positioning is required, there may be a risk of reduced draining from the washbasin.

For purchase of adapters for connection to various standard installations, see "Connection Adapters – Swing Washbasin".

### NOTE:

All dimensions are based on a washbasin height of 800mm (23 5/8") above floor level. If a change of this height is required, the recommended dimensions must be changed accordingly.



# Ropox Swing Washbasin

## Fixed, Long cover – plumbing hidden (40-41120)

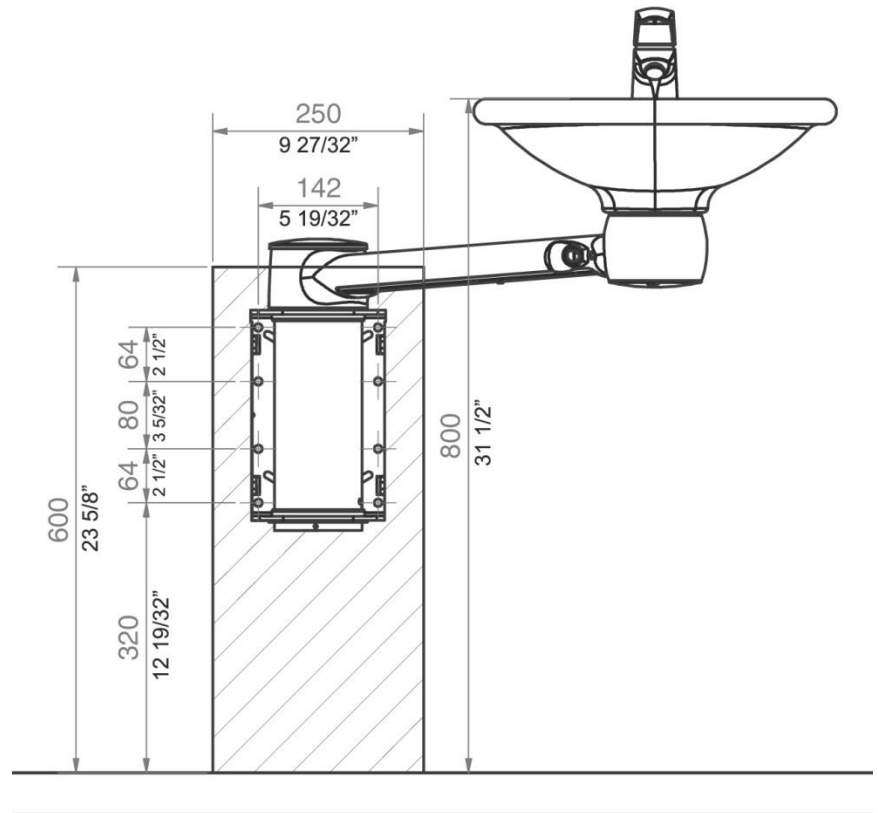
### CONSTRUCTION

The wall must be made of a material suited for screw mounting and approved for damp rooms. The hatched area is the minimum area for reinforcement of the wall. Reinforcement from floor to ceiling is advisable.

Load-tested according to DS/ISO 17966 the maximum user weight has been fixed at 80kg (176 lbs).

**Max. tensile load of upper screws**  
88kg/screw (194lbs/screw)

The washbasin is supplied with a set of 8 screws and rawplugs suitable for mounting on a concrete wall. The fitter should always consider the material, condition and strength of the wall and use screws and rawplugs suitable for the specific wall type.



## PLUMBING

The drain hose is a flexible  $\text{Ø}32$  (1 1/4") hose.

The water supply ends in 2 (two) 90° shut-off valves with 1/2" or 3/8" outside thread pointing downward (not included).

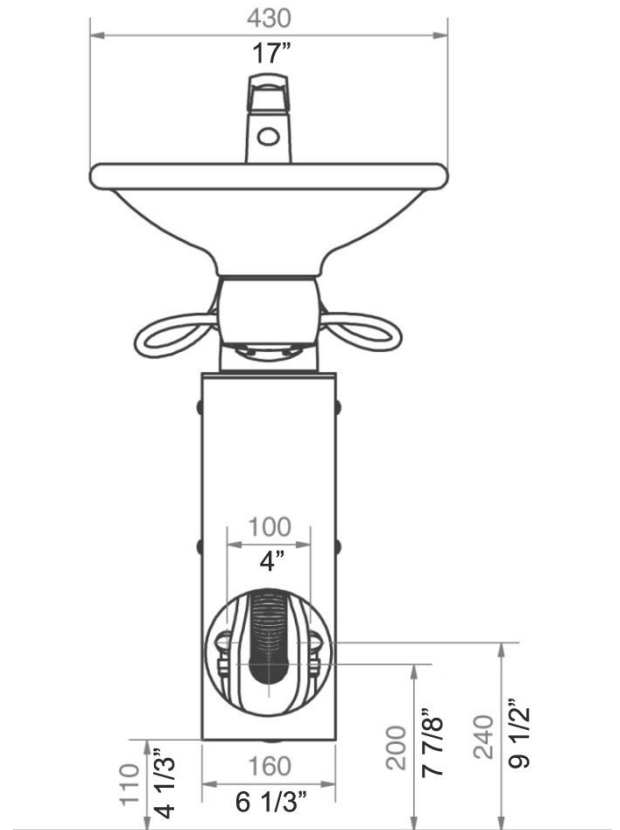
The flexible water connection hoses from the washbasin end in  $\text{Ø}10$  pipes. Adapter fittings from these pipes to the shut-off valves are available with Ropox and as standard plumbing components.

If a location of the drain higher than the recommended positioning is required, there may be a risk of reduced draining from the washbasin.

For purchase of adapters for connection to various standard installations, see "Connection Adapters – Swing Washbasin".

### NOTE:

All dimensions are based on a washbasin height of 800mm (23 5/8") above floor level. If a change of this height is required, the recommended dimensions must be changed accordingly.



# Ropox Swing Washbasin

## Manual, Short cover – plumbing visible (40-41130)

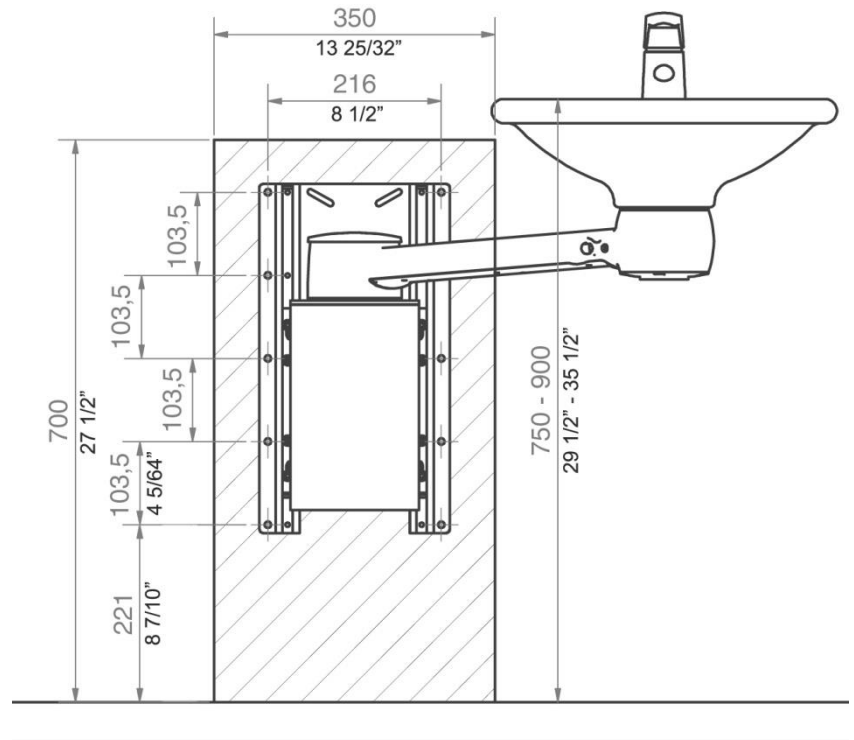
### CONSTRUCTION

The wall must be made of a material suited for screw mounting and approved for damp rooms. The hatched area is the minimum area for reinforcement of the wall. Reinforcement from floor to ceiling is advisable.

Load-tested according to DS/ISO 17966 the maximum user weight has been fixed at 80kg (176 lbs).

### Max. tensile load of upper screws 88kg/screw (194lbs/screw)

The washbasin is supplied with a set of 10 screws and rawlplugs suitable for mounting on a concrete wall. The fitter should always consider the material, condition and strength of the wall and use screws and rawlplugs suitable for the specific wall type.



**PLUMBING**

The drain hose is a flexible Ø32 (1 ¼") hose.

The water supply ends in 2 (two) 90° shut-off valves with ½" or 3/8" outside thread pointing downward (not included).

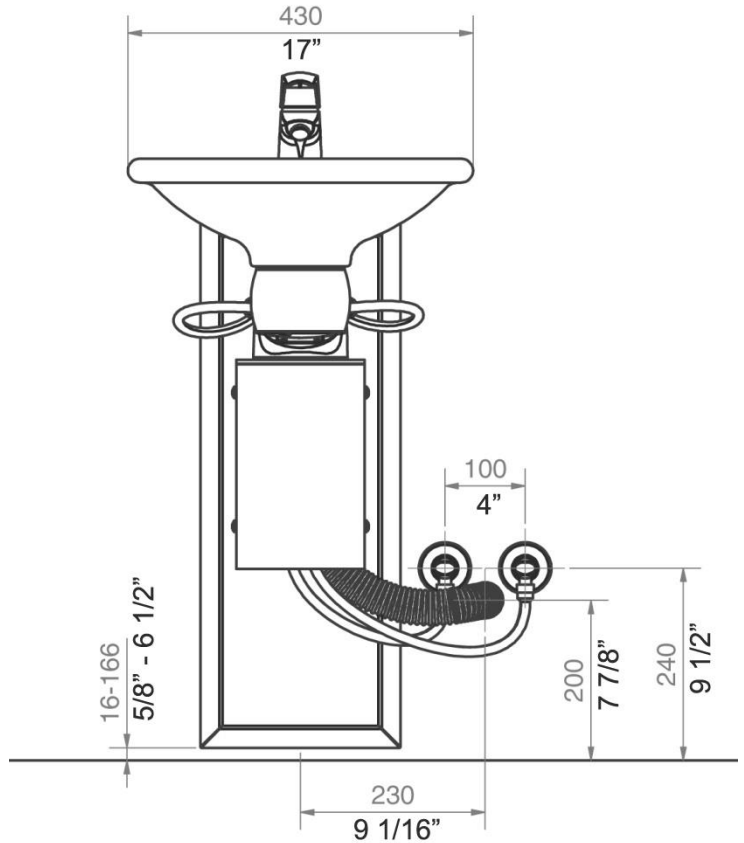
The flexible water connection hoses from the washbasin end in Ø10 pipes. Adapter fittings from these pipes to the shut-off valves are available with Ropox and as standard plumbing components.

If a location of the drain higher than the recommended positioning is required, there may be a risk of reduced draining from the washbasin.

For purchase of adapters for connection to various standard installations, see "Connection Adapters – Swing Washbasin".

**NOTE:**

All dimensions are based on adjustment of the washbasin from 750 - 900 mm (29 ½" – 35 ½") above floor level. If a change of this adjustment range is required, the recommended dimensions must be changed accordingly.







# Ropox Swing Washbasin

## Complete, incl. height adjustment and Dock-in (40-40071 and 40-40072)

### CONSTRUCTION

The wall must be made of a material suited for screw mounting and approved for damp rooms.

The hatched area is the minimum area for reinforcement of the wall.

Reinforcement from floor to ceiling is advisable.

Height adjustment unit is tested according to DS/ISO 17966:2016, the maximum user weight has been fixed at 245kg (539 lbs) when the wash basin is in the Dock-in and 80kg (176 lbs) when wash basin is out of the Dock-in.

### Max. tensile load of upper screws

120kg/screw (264lbs/screw)

The washbasin is supplied with a set of 10 screws and rawplugs suitable for mounting on a concrete wall. The fitter should always consider the material, condition and strength of the wall and use screws and rawplugs suitable for the specific wall type.

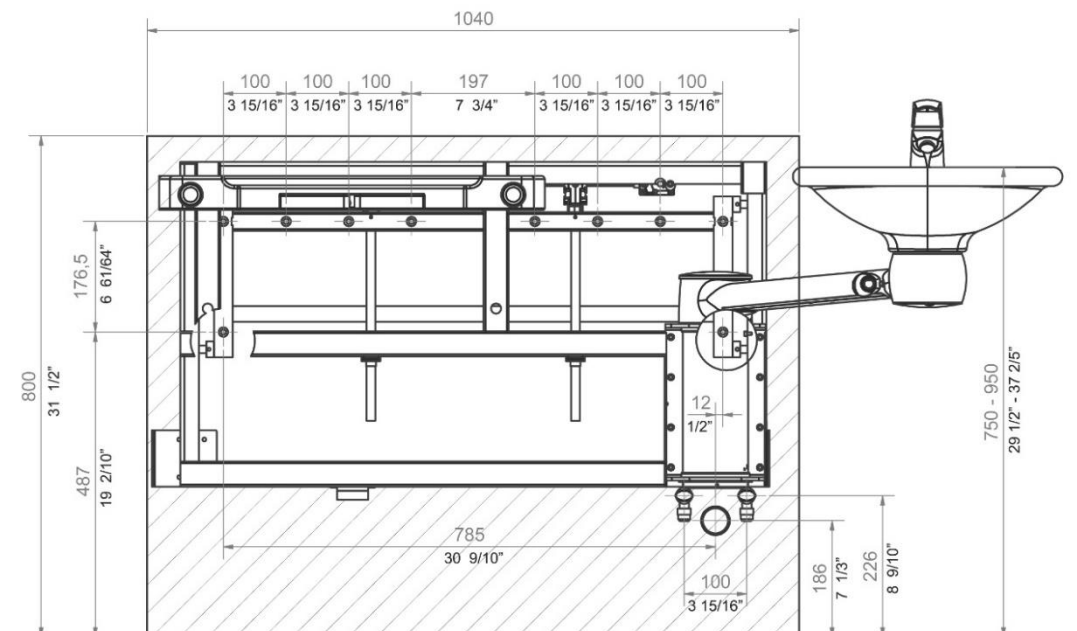
### PLUMBING

The drain hose is a flexible Ø32 (1 ¼") hose.

The water supply ends in 2 (two) 90° shut-off valves with ½" or 3/8" outside thread pointing downward (not included).

The flexible water connection hoses from the washbasin end in Ø10 pipes. Adapter fittings from these pipes to the shut-off valves are available with Ropox and as standard plumbing components. If a location of the drain higher than the recommended positioning is required, there may be a risk of reduced draining from the washbasin.

For purchase of adapters for connection to various standard installations, see "Connection Adapters – Swing Washbasin".



**NOTE:**All dimensions are based on adjustment of the washbasin from 750 - 950 mm (29 ½" – 37 2/5") above floor level. If a change of this height-adjustment range is required, the recommended dimensions must be changed accordingly.

# Ropox Swing Washbasin

## Optional: Dock-in (40-40069)

NOTE: only applicable for the basins 40-41110, 40-41120, 40-41130 and 40-41140. The Dock-in is included in the height adjustable wash basins 40-40071 and 40-40072.

### CONSTRUCTION

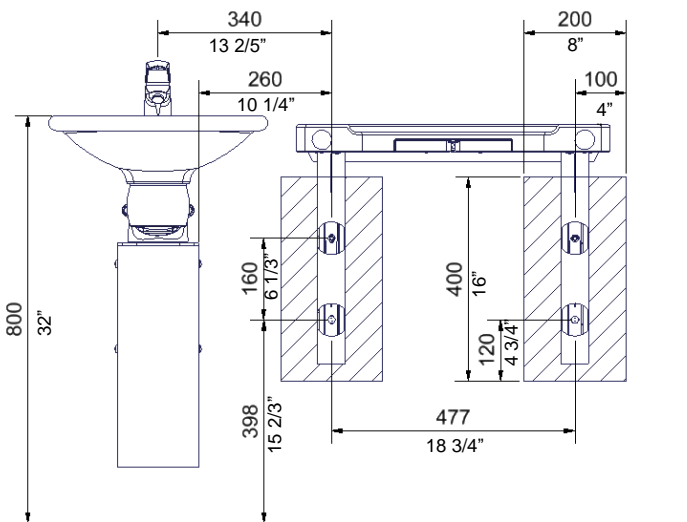
The wall must be made of a material suited for screw mounting and approved for damp rooms. The hatched area is the minimum area for reinforcement of the wall. Reinforcement from floor to ceiling is advisable.

Tested according to DS/ISO 17966:2016, the maximum user weight has been fixed at 245kg (539lbs) when the wash basin is in the Dock-in and 80kg (176 lbs) when wash basin is out of the Dock-in.

### Max. tensile load of upper screws

136kg/screw (300 lbs)

The unit will be supplied with a set of 4 screws and rawplugs suitable for mounting on a concrete wall. The fitter should always consider the material, condition and strength of the wall and use screws and rawplugs suitable for the specific wall type.

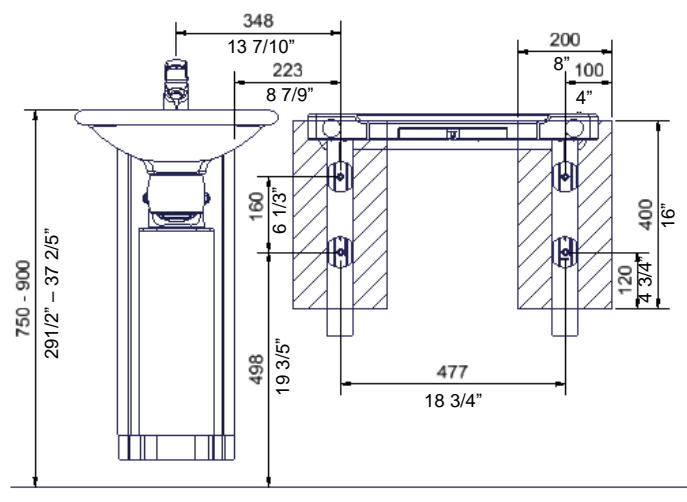


### 40-41110 and 40-41120

#### NOTE:

All dimensions are based on a fixed height of the wash basin of 800mm (31 1/2") above floor level.

If a change of these dimensions is required, the recommended dimensions must be changed accordingly. Ropox can supply a mounting plate at request.



### 40-41130 and 40-41140

#### NOTE:

All dimensions are based on a height of the wash basin of 750-900mm (29 1/2" – 35 1/2") above floor level.

If a change of these dimensions is required, the recommended dimensions must be changed accordingly. Ropox can supply a mounting plate at request.

# Ropox Support Washbasin

## Fixed

(40-44010 and 40-44011)

### CONSTRUCTION

The wall must be made of a material suited for screw mounting and approved for damp rooms. The hatched area is the minimum area for reinforcement of the wall. Reinforcement from floor to ceiling is advisable.

Load-tested according to DS/ISO 17966 the maximum user weight has been fixed at 400kg (880 lbs).

### Max. tensile load of upper screws

150kg/screw (330 lbs)

The washbasin is supplied with a set of 6 screws and rawplugs suitable for mounting on a concrete wall. The fitter should always consider the material, condition and strength of the wall and use screws and rawplugs suitable for the specific wall type.

### PLUMBING

The drain is  $\varnothing 32$  (1 1/4") and ends in an  $\varnothing 32 \times 88.5^\circ$  drain elbow.

The maximum protrusion of drain connection and elbow from the wall is 90mm (3 1/2") to allow for the covers.

The water supply ends in 2 (two) 90° shut-off valves with 1/2" outside thread pointing downward (not included).

The maximum protrusion of the shut-off valves from the wall is 90mm (3 1/2") to allow for the covers.

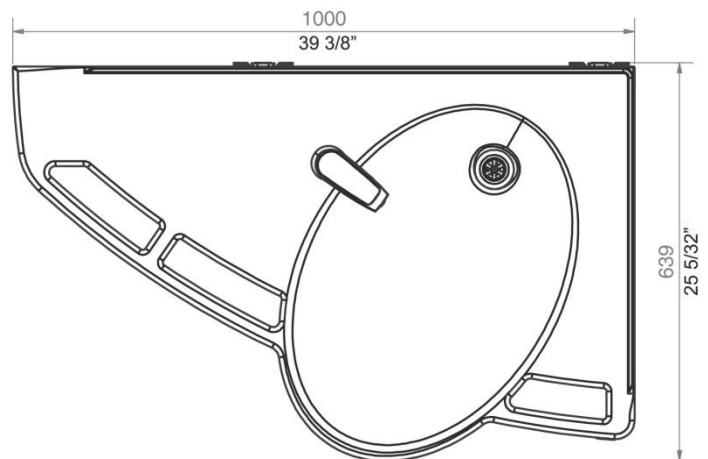
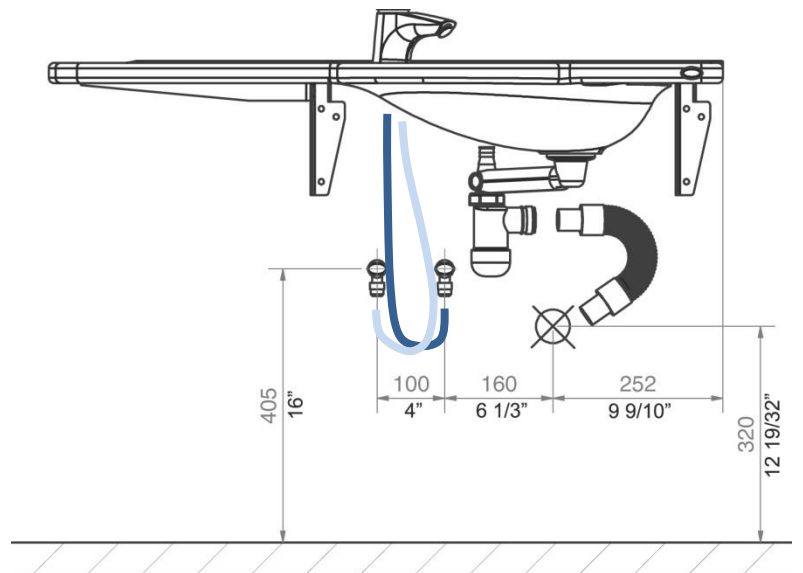
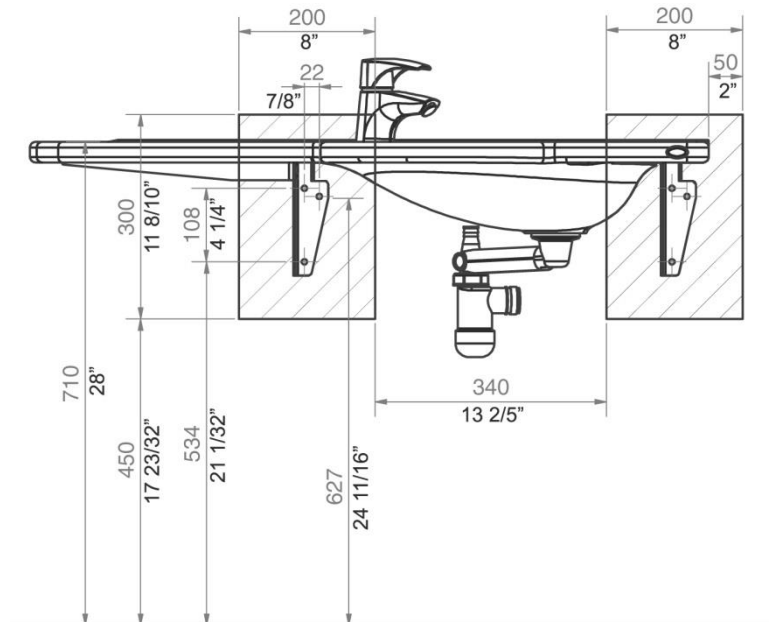
If a location of the water supply and drain different from the recommended positioning is required or if there is a floor drain, the Support Washbasin will have no covers.

For purchase of adapters for connection to various standard installations, see "Connection Adapters – Other Washbasins".

### NOTE:

All dimensions are based on a washbasin height of 710mm (28") above floor level. If a change of this height is required, the recommended dimensions must be changed accordingly.

The illustrations show the left-hand model 40-44010



# Ropox Support Washbasin

## Basic

(40-44012 and 40-44013)

### CONSTRUCTION

The wall must be made of a material suited for screw mounting and approved for damp rooms.

The hatched area is the minimum area for reinforcement of the wall.

Reinforcement from floor to ceiling is advisable.

Load-tested according to DS/ISO 17966 the maximum user weight has been fixed at 400kg (880 lbs).

### Max. tensile load of upper screws

85kg/screw (187 lbs)

The washbasin is supplied with a set of 6 screws and rawplugs suitable for mounting on a concrete wall. The fitter should always consider the material, condition and strength of the wall and use screws and rawplugs suitable for the specific wall type.

### PLUMBING

The drain is Ø32 (1 ¼") and ends in an Ø32x88.5° drain elbow.

The maximum protrusion of drain connection and elbow from the wall is 90mm (3 ½") to allow for the covers.

The water supply ends in 2 (two) 90° shut-off valves with ½" outside thread pointing downward (not included).

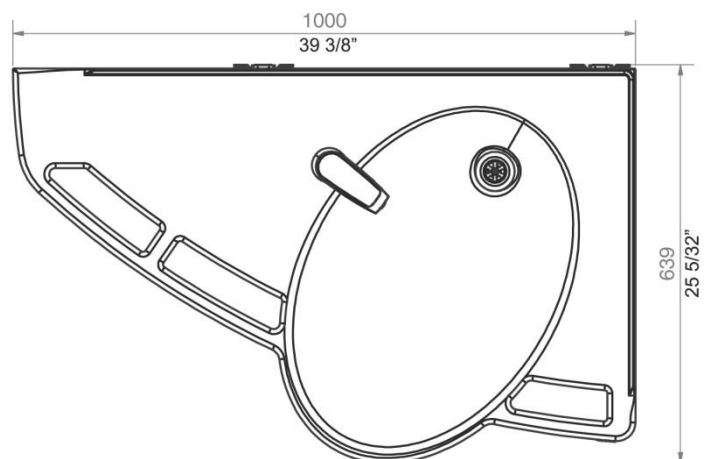
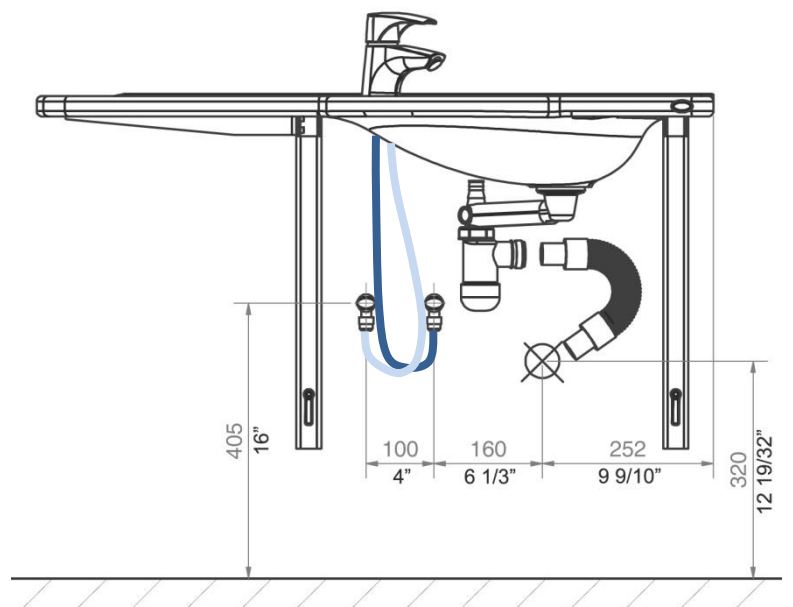
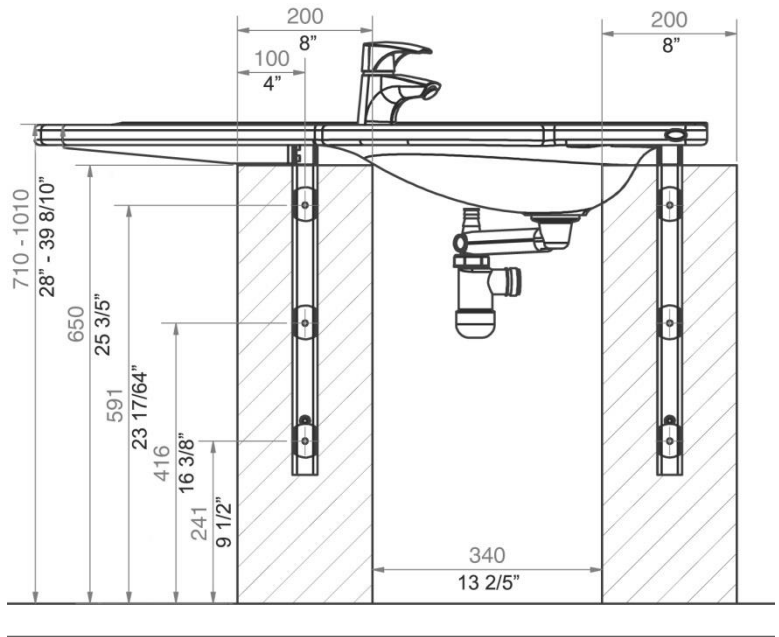
The maximum protrusion of the shut-off valves from the wall is 90mm (3 ½") to allow for the covers.

It is important that all hoses for water connection and drain are flexible to allow the frame to move freely within the height adjustment range of 710-1010mm (28" – 39 8/10") (including washbasin).

If a location of water supply and drain different from the recommended positioning is required or if there is a floor drain, the Support Washbasin will have no covers. For purchase of adapters for connection to various standard installations, see "Connection Adapters – Other Washbasins".

### NOTE:

The illustrations show the left-hand model 40-44012



# Ropox Support Washbasin

## Manual

(40-44014 and 40-44015)

### CONSTRUCTION

The wall must be made of a material suited for screw mounting and approved for damp rooms. The hatched area is the minimum area for reinforcement of the wall. Reinforcement from floor to ceiling is advisable. Load-tested according to DS/ISO 17966 the maximum user weight has been fixed at 400kg (880 lbs).

### Max tensile load of upper screws

71kg/screw (157 lbs)

The washbasin is supplied with a set of 8 screws and rawplugs suitable for mounting on a concrete wall. The fitter should always consider the material, condition and strength of the wall and use screws and rawplugs suitable for the specific wall type.

### PLUMBING

The drain is  $\varnothing 32$  (1 1/4") and ends in an  $\varnothing 32 \times 88.5^\circ$  drain elbow. The maximum protrusion of drain connection of elbow from the wall is 90mm (3 1/2") to allow for the covers. The water supply ends in 2 (two) 90° shut-off valves pointing downward (not included). The maximum protrusion of the shut-off valves from the wall is 90mm (3 1/2") to allow for the covers.

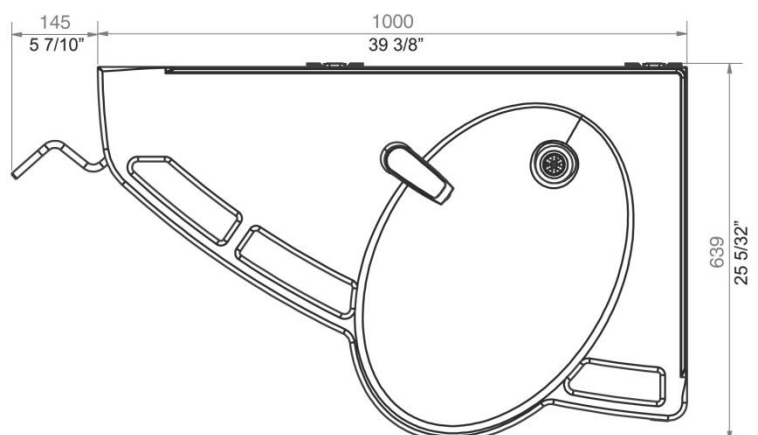
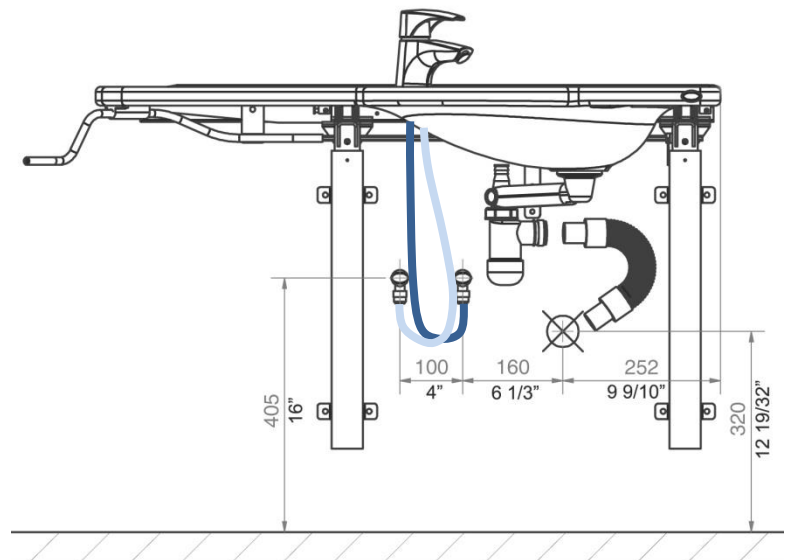
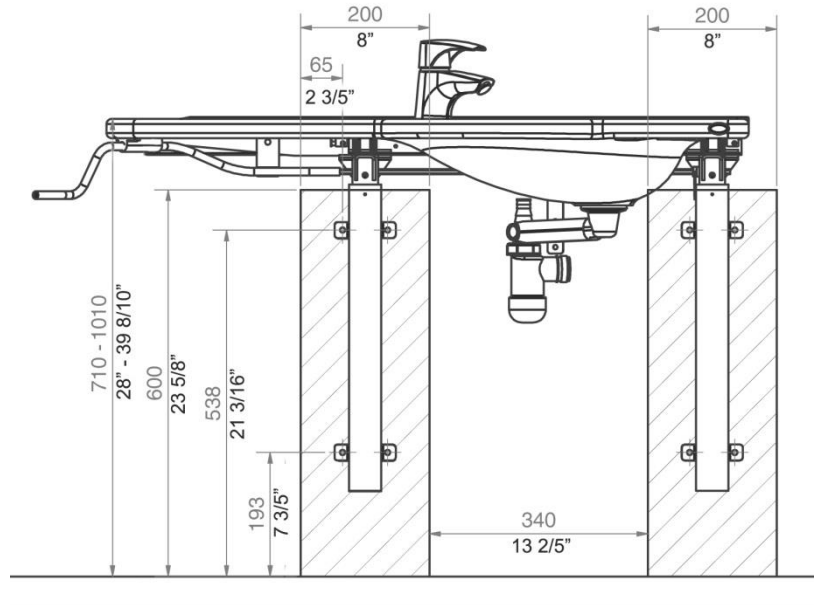
It is important that all hoses for water connection and drain are flexible to allow the frame to move freely within the height adjustment range of 710-1010mm (28" – 39 8/10") (including washbasin).

If a location of water supply and drain different from the recommended positioning is required and if there is a floor drain, the Support Washbasin will have no covers.

For purchase of adapters for connection to various standard installations, see "Connection Adapters – Other Washbasins".

### NOTE:

The illustrations show the left-hand model 40-44014





# Ropox Support Washbasin

## Electric left

(40-44016)

### CONSTRUCTION

The wall must be made of a material suited for screw mounting and approved for damp rooms. The hatched area is the minimum area for reinforcement of the wall. Reinforcement from floor to ceiling is advisable. Load-tested according to DS/ISO 17966 the maximum user weight has been fixed at 520kg (1144 lbs).

### Max. tensile load of upper screws

71kg/screw (157lbs).

The washbasin is supplied with a set of 8 screws and rawplugs suitable for mounting on a concrete wall. The fitter should always consider the material, condition and strength of the wall and use screws and rawplugs suitable for the specific wall type.

### PLUMBING

The drain is Ø32 (1 ¼") and ends in an Ø32x88.5° drain elbow.

The maximum protrusion of drain connection and elbow from the wall is 90mm (3 ½") to allow for the covers.

The water supply ends in 2 (two) 90° shut-off valves with ½" outside thread pointing downward (not included). The maximum protrusion of the shut-off valves from the wall is 90mm (3 ½") to allow for the covers.

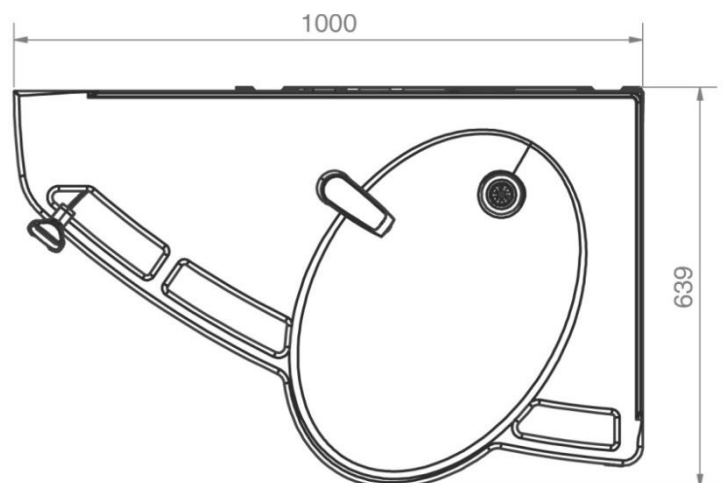
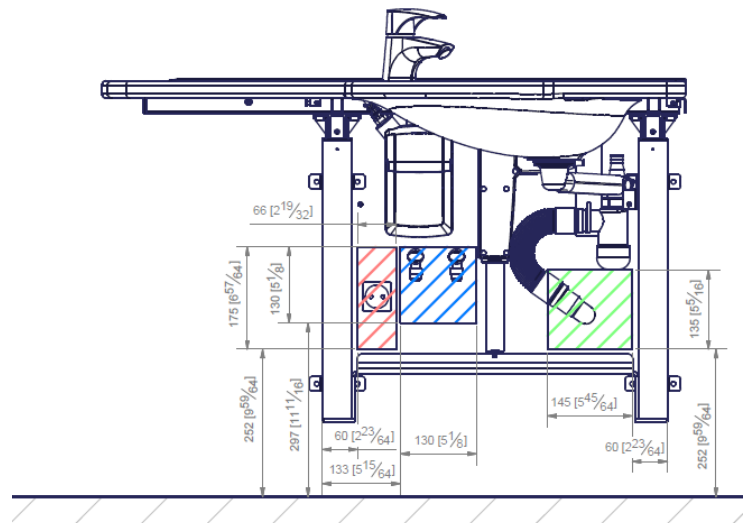
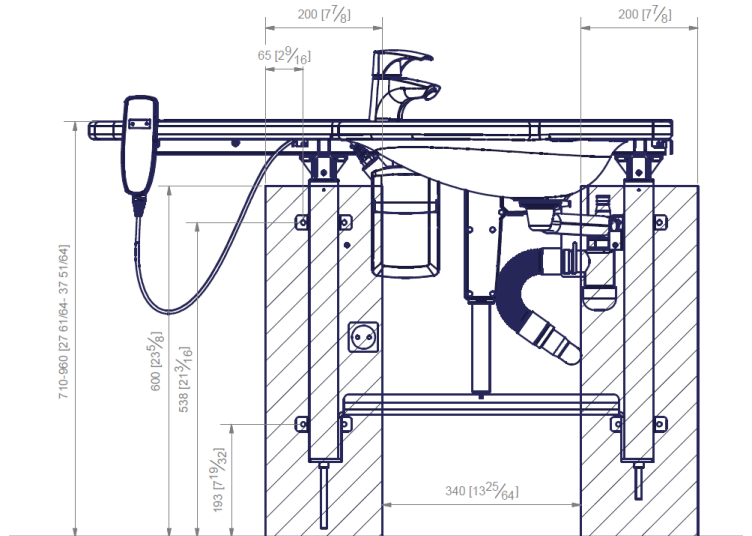
Location and optimum orientation as shown in blue for water supply and in green for drain. It is important that all hoses for water connection and drain are flexible to allow the frame to move freely within the height-adjustment range of 710-960mm (28" – 37 4/5") (including washbasin).

If a location of water supply and drain different from the recommended positioning is required or if there is a floor drain, the Support Washbasin has no covers.

For purchase of adapters for connection to various standard installations, see "Connection Adapters – Other Washbasins".

### POWER

Recommended location of socket in wall for optimum and hidden wiring is shown in red. If a different location is required, the cable from the control unit is 3200mm (126").



# Ropox Support Washbasin

## Electric right

(40-44017)

### CONSTRUCTION

The wall must be made of a material suited for screw mounting and approved for damp rooms. The hatched area is the minimum area for reinforcement of the wall.

Reinforcement from floor to ceiling is advisable. Load-tested according to DS/ISO 17966 the maximum user weight has been fixed at 520kg (1144 lbs).

### Max. tensile load of upper screws

71kg/screw (157 lbs)

The washbasin is supplied with a set of 8 screws and rawplugs suitable for mounting on a concrete wall. The fitter should always consider the material, condition and strength of the wall and use screws and rawplugs suitable for the specific wall type.

### PLUMBING

The drain is  $\text{Ø}32$  (1 1/4") and ends in an  $\text{Ø}32 \times 88.5^\circ$  drain elbow.

The maximum protrusion of drain connection and elbow from the wall is 90mm (3 1/2") to allow for the covers.

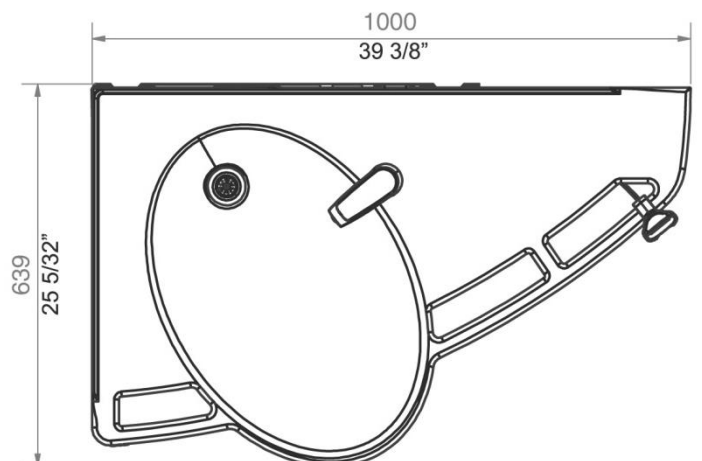
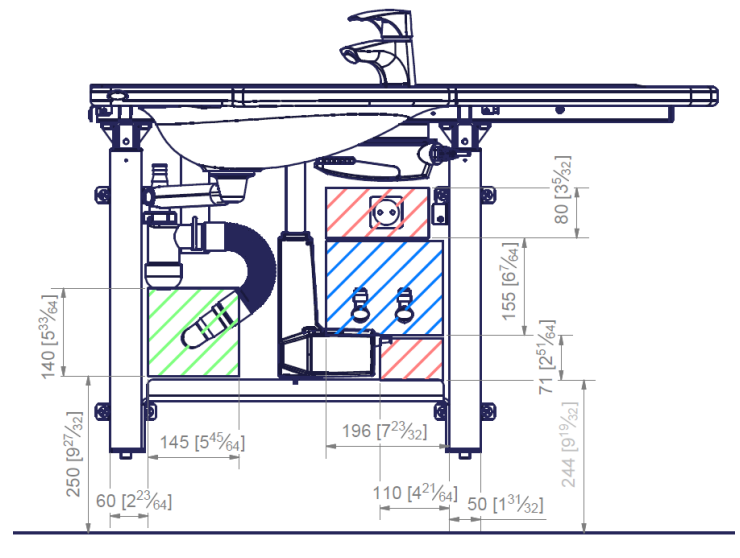
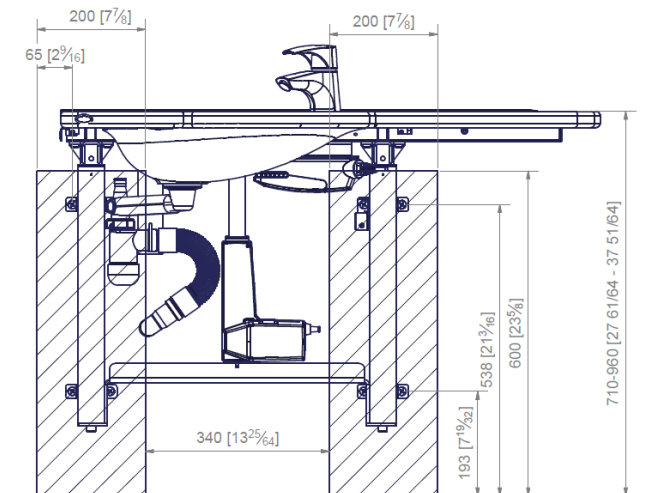
The water supply ends in 2 (two) 90° shut-off valves with 1/2" outside thread pointing upward (not included). The maximum protrusion of the shut-off valves from the wall is 90mm (3 1/2") to allow for the covers.

Location and optimum orientation as shown in blue for water connection and green for drain. It is important that all hoses for water connection and drain are flexible to allow the frame to move freely within the height-adjustment range of 710-960mm (28" – 37 4/5") (including washbasin). If a location of water supply and drain different from the recommended positioning is required and if there is a floor drain, the Support Washbasin has no covers.

For purchase of adapters for connection to various standard installations, see "Connection Adapters – Other Washbasins".

### POWER

Recommended location of socket in wall for optimum and hidden wiring is shown in red. If a different location is required, the cable from the control unit is 3200mm (126").



# Ropox Support Washbasin

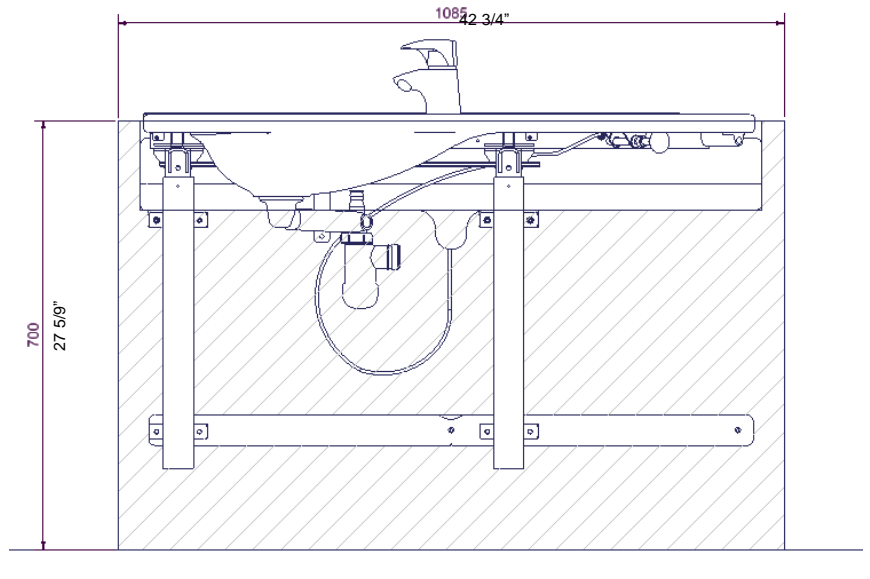
## Optional: Sideways slide for Ropox Support Washbasin (40-44030)

### CONSTRUCTION

The wall must be made of a material suited for screw mounting and approved for damp rooms. The hatched area is the minimum area for reinforcement of the wall.

Reinforcement from floor to ceiling is advisable. Load-tested according to DS/ISO 17966 the maximum user weight has been fixed at 400kg (880 lbs).

**Max. tensile load of upper screws**  
41kg/screw (90 lbs)



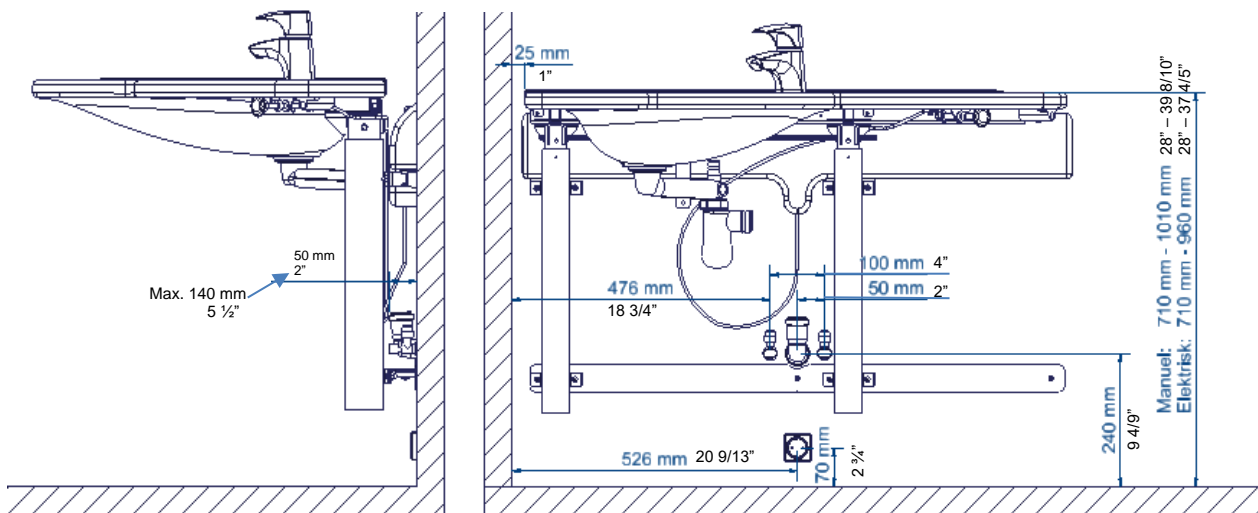
### PLUMBING

The drain has a diameter of Ø32 (1 ¼") and is provided with an Ø32x88.5° elbow.

Max. protrusion of drain connection and elbow from the wall is 140mm (5 ½") owing to the covers.

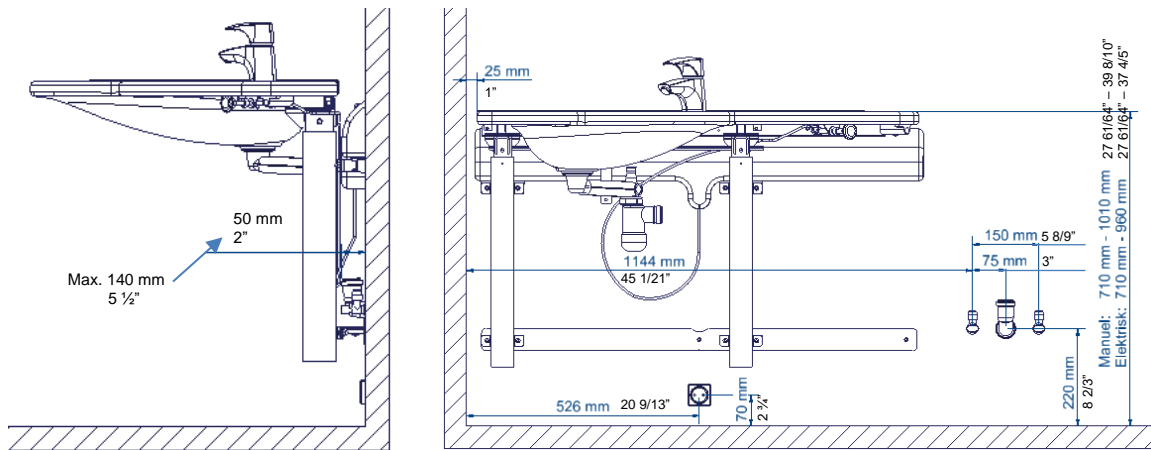
The water supply ends in 2 (two) 90° shut-off valves with ½" outside thread. Location and optimum orientation as illustrated. Max. protrusion of shut-off valves from the wall is 140mm (5 ½") owing to the covers.

It is recommended to install water and drain connections as illustrated. All hoses for water and drain connections must be flexible for the unit to move freely within the range of adjustment.



Manual/electrical height adjustment, plumbing located behind the cover.





Manual/Electrical height adjustment, plumbing visible beside the washbasin.  
(plumbing may be located on either side of the washbasin).

### POWER

Recommended location of socket in wall for optimum and hidden wiring.  
In case of an alternative solution, the cable from the control unit is 3200mm (126").

# Ropox SlimLine Washbasin

## Electric (40-15601)

### CONSTRUCTION

The wall must be made of a material suited for screw mounting and approved for damp rooms. The hatched area is the minimum area for reinforcement of the wall.

Tested in accordance with DS/EN 12182:2012 and DS/ISO 17966:2016 with the following max. user weights:  
40-15601: 165kg (363 lbs)

### Max. tensile load of upper screws

68kg/screw (150 lbs)

The washbasin is supplied with a set of screws and rawplugs suitable for mounting on a concrete wall. The fitter should always consider the material, condition and strength of the wall and use screws and rawplugs suitable for the specific wall type.

### PLUMBING

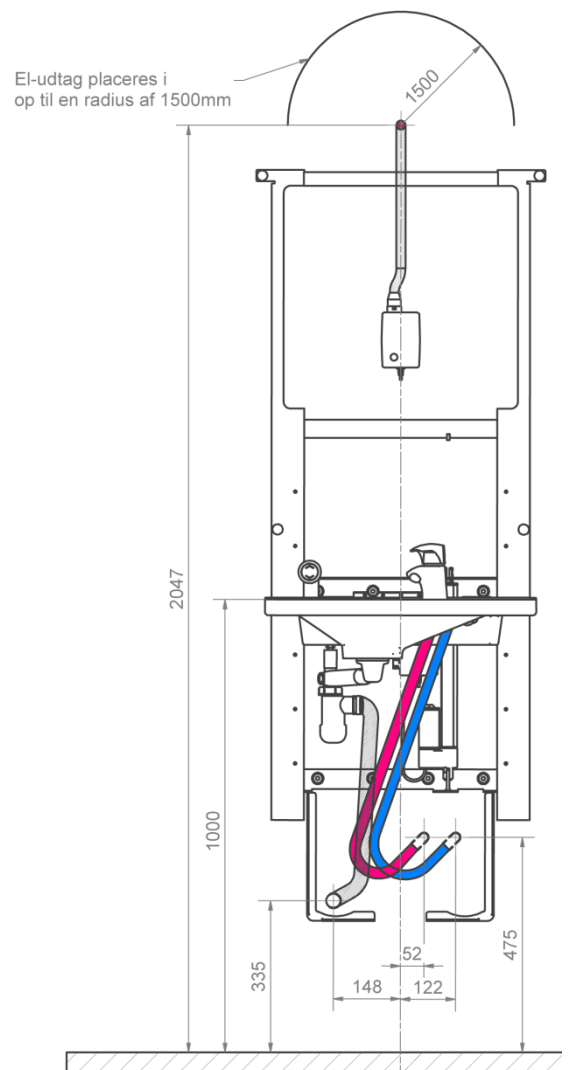
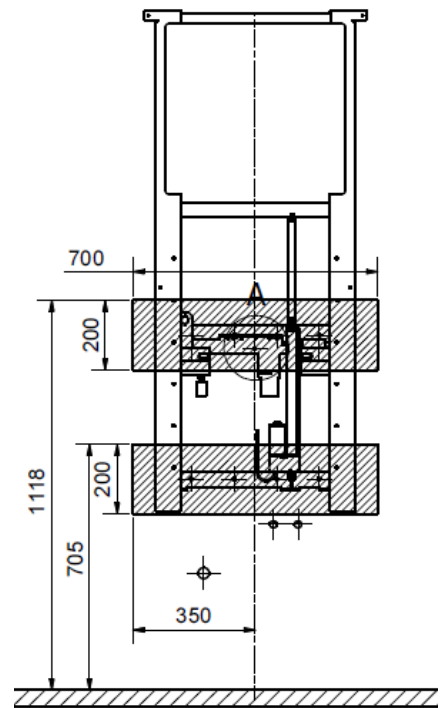
The drain is Ø32 (1 ¼") and ends in an Ø32x88.5° drain elbow.

The water supply ends in 2 (two) 90° shut-off valves with ½" outside thread pointing downwards in an angle of 45° (not included). The maximum protrusion of the shut-off valves and drain connection should be max 77mm (3") to allow for the covers.

The optimum location and orientation is as shown. It is important that all hoses for water connection and drain are flexible to allow the frame to move freely within the height-adjustment range of 700-1000mm (27 1/2" – 39 2/5") (including washbasin). If a different location of water supply from the recommended positioning is required and if there is a floor drain, the installation cover (40-15610) can't be used.

### POWER

Recommended location of socket in wall for optimum and hidden wiring is above unit as shown. The cable from the control unit is 2000mm (78").



# Ropox StandardLine Washbasin

## Electric

(40-14770, 40-14772 og 40-14773)

### CONSTRUCTION

The wall must be made of a material suited for screw mounting and approved for damp rooms. The hatched area is the minimum area for reinforcement of the wall.

Tested in accordance DS/ISO 17966:2016 with the following max. user weights:

40-14772: 200kg (440 lbs)

40-14773: 200kg (440 lbs)

40-14770: 200kg (440 lbs) (when using a porcelain wash basin)

### Max. tensile load of upper screws

50kg/screw (110 lbs)

The washbasin is supplied with a set of screws and rawplugs suitable for mounting on a concrete wall. The fitter should always consider the material, condition and strength of the wall and use screws and rawplugs suitable for the specific wall type.

### PLUMBING

The drain is  $\varnothing 32$  (1 1/4") and ends in an  $\varnothing 32 \times 88.5^\circ$  drain elbow.

The water supply ends in 2 (two) 90° shut-off valves with 1/2" outside thread pointing upwards (not included). The maximum protrusion of the shut-off valves and drain connection should be max 90mm (3 1/2") to allow for the covers.

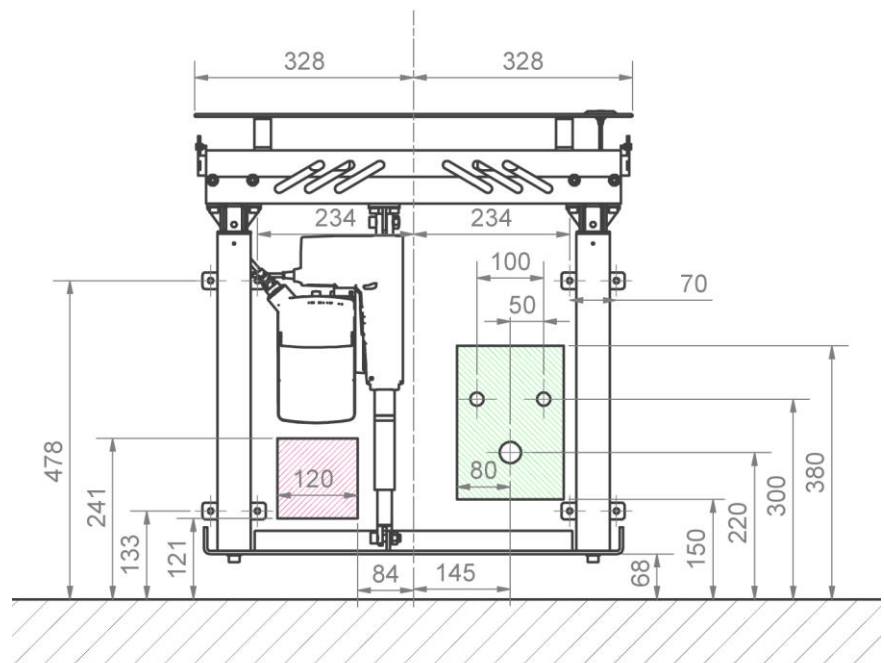
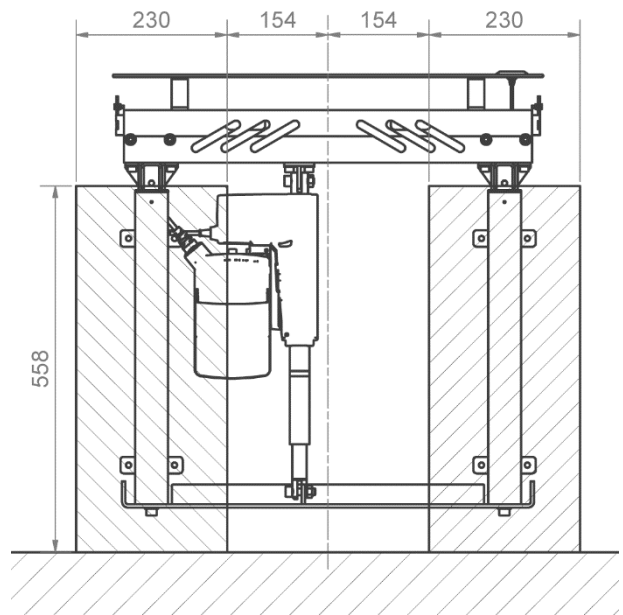
The optimum location and orientation is as shown in green.

It is important that all hoses for water connection and drain are flexible to allow the frame to move freely within the height-adjustment range of 700-1000mm (27 1/2" – 39 2/5") (including washbasin).

For purchase of adapters for connection to various standard installations, see "Connection Adapters – Other Washbasins".

### POWER

Recommended location of socket in wall for optimum and hidden wiring is shown in red. If a different location is required, the cable from the control unit is 3200mm (126").



# Ropox AdaptLine Washbasin

## Manual

(40-42110, 40-42011 og 40-42012)

### CONSTRUCTION

The wall must be made of a material suited for screw mounting and approved for damp rooms. The hatched area is the minimum area for reinforcement of the wall.

Tested in accordance with DS/ISO 17966:2016 with the following max. user weights:

40-42011: 165kg (363 lbs)

40-42012: 120kg (264 lbs)

40-42110: 200kg (264 lbs) (when using a porcelain wash basin)

### Max. tensile load of upper screws

62kg/screw (137 lbs)

The washbasin is supplied with a set of screws and rawplugs suitable for mounting on a concrete wall. The fitter should always consider the material, condition and strength of the wall and use screws and rawplugs suitable for the specific wall type.

### PLUMBING

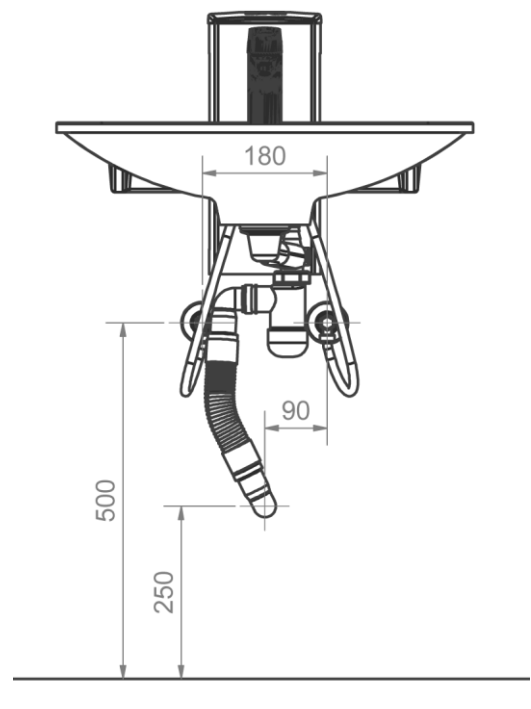
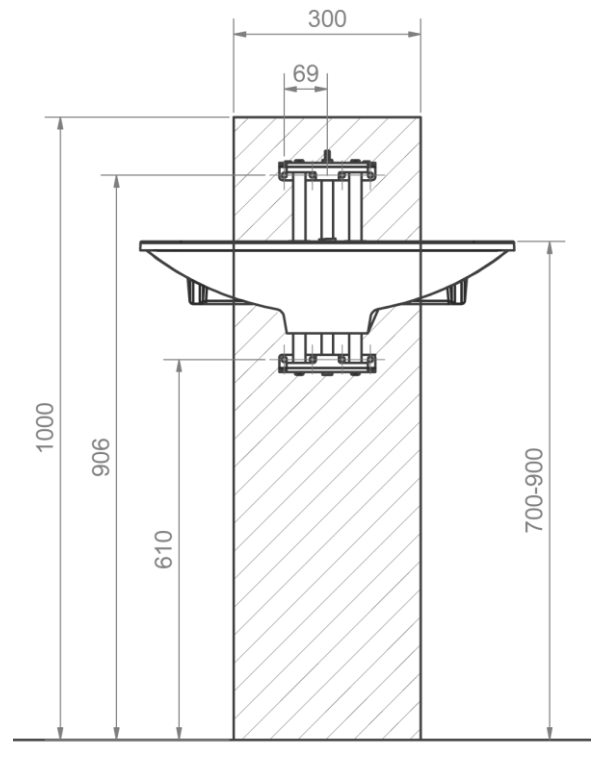
The drain is  $\varnothing 32$  (1 1/4") and ends in an  $\varnothing 32 \times 88.5^\circ$  drain elbow.

The water supply ends in 2 (two)  $90^\circ$  shut-off valves with 1/2" outside thread pointing downwards (not included).

The optimum location and orientation is as shown.

It is important that all hoses for water connection and drain are flexible to allow the frame to move freely within the height-adjustment range of 700-900mm (27 1/2" – 35 2/5") (including washbasin).

For purchase of adapters for connection to various standard installations, see "Connection Adapters – Other Washbasins".





## Backrest, with and without arm supports (40-43025 and 40-43030)

### CONSTRUCTION

The wall must be made of a material suited for screw mounting and approved for damp rooms. According to DS/ISO 17966 the maximum user weight has been fixed at 50kg (110lbs) for each arm support. The hatched area is the minimum area for reinforcement of the wall. Reinforcement from floor to ceiling is advisable.

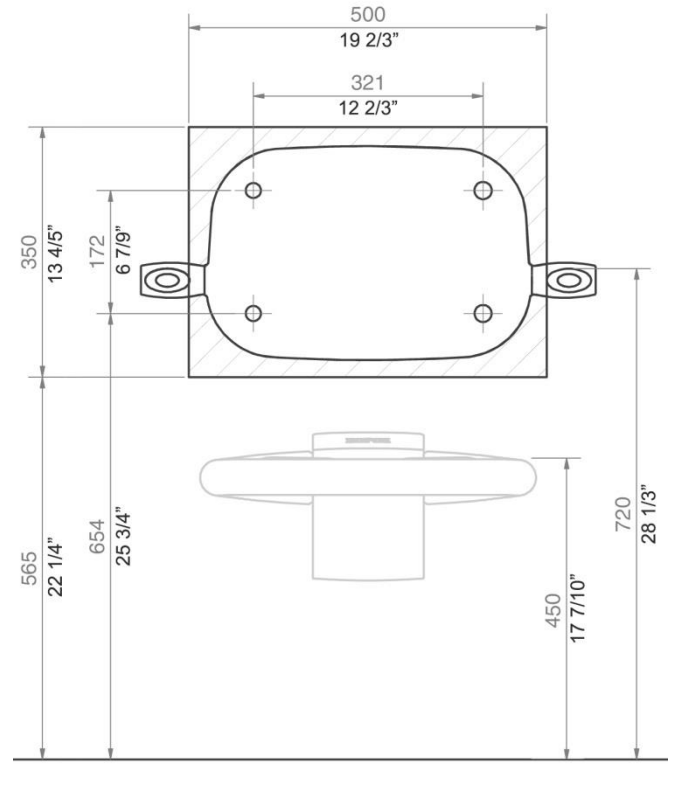
### Max. tensile load of upper screws

40-43025: 110 kg/screw (243lbs)

### NOTE:

All dimensions are based on a fixed seat height of 450mm (17 7/10") above floor level and a height of arm supports of 270mm (10 5/8") above the seat height. If a change of these dimensions is required, the recommended dimensions must be changed accordingly.

The backrest is supplied with a set of 4 screws and rawlplugs suitable for mounting on a concrete wall. The fitter should always consider the material, condition and strength of the wall and use screws and rawlplugs suitable for the specific wall type.



# Ropox Shower Seat

## Height adjustment of seat and backrest (40-43043)

### CONSTRUCTION

The wall must be made of a material suited for screw mounting and approved for damp rooms. Load-tested according to DS/ISO 17966 the maximum user weight has been fixed at 150kg (330 lbs) for the seat and 50kg (110 lbs) for each arm support. The hatched area is the minimum area for reinforcement of the wall. Reinforcement from floor to ceiling is advisable.

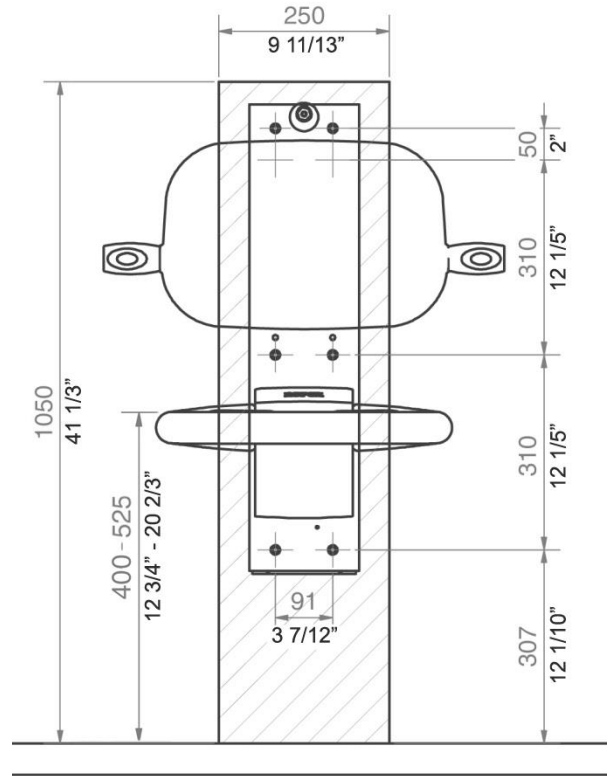
### Max. tensile load of upper screws

45 kg/screw (99 lbs)

### NOTE:

All dimensions are based on a seat without leg with height adjustable between 400 - 525mm ( $12\frac{3}{4}$ " -  $20\frac{2}{3}$ ") above floor level. If a change of these dimensions is required, the recommended dimensions must be changed accordingly.

The unit is supplied with a set of 8 screws and rawlplugs suitable for mounting on a concrete wall. The fitter should always consider the material, condition and strength of the wall and use screws and rawlplugs suitable for the specific wall type.



# Ropox Toilet Lifter

## Electric (40-45026)

### CONSTRUCTION

The wall must be of proper screw material approved for wet rooms.

Load tested in accordance with DS/ISO 17966, the max. user weight is 400kg.


### Max. tensile load of top screws

40-45026: 44 kg/screw (97 lbs)

### NOTE:

The toilet lifter is supplied with a set of 6 screws and rawlplugs suitable for mounting on a concrete wall. The fitter should always consider the material, condition, and strength of the wall and use screws and rawlplugs suitable for the specific wall type.


### PLUMBING

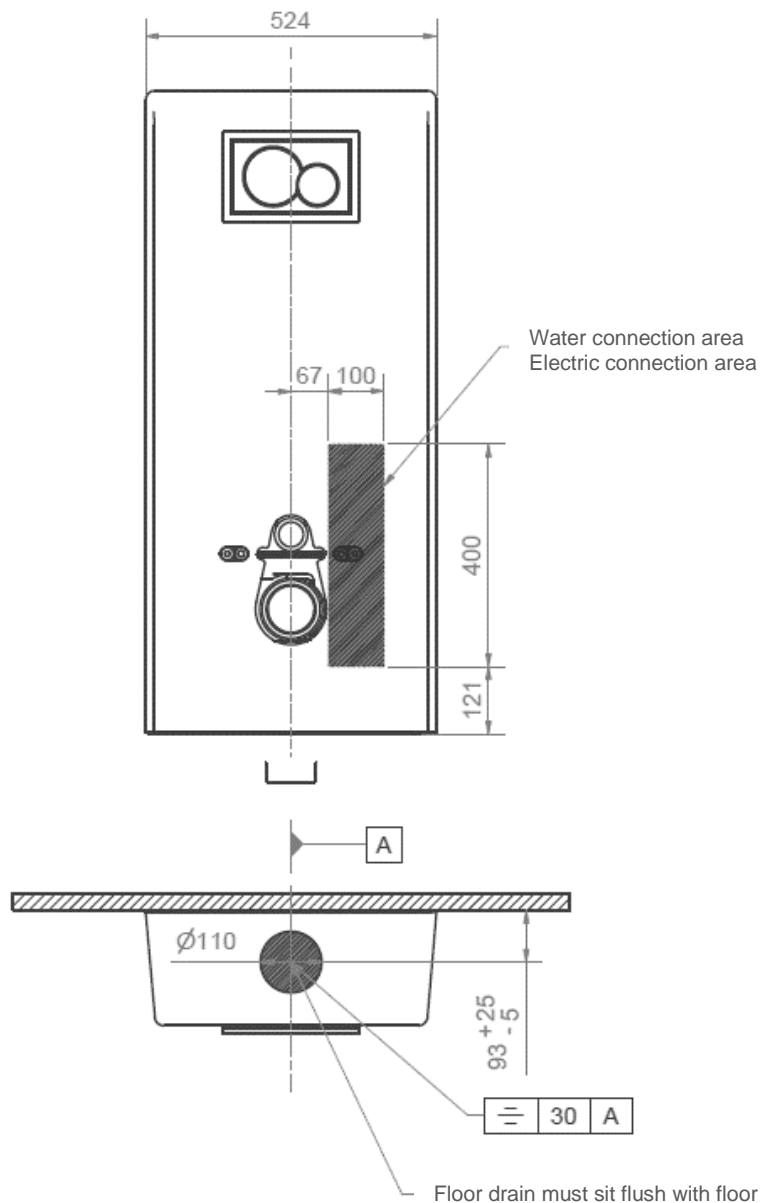
The floor drain must be an outside  $\text{Ø}110\text{mm}$  (4 1/3in) drain pipe without a coupler and recommended completed at floor level. Optimal placement is shown in  shaded area.

The water supply ends with one 90° shut-off valve with 1/2in outside thread pointing upward.

The recommended location of water is illustrated with the  shaded area.

### POWER

The optimum location is illustrated with the socket symbol. An alternative location of the power point in the wall must be within the  shaded area. If a location outside the unit is wanted, the cable from the control is 3200 mm (126"). For another location, it must always be controlled that the power cable is fixed in a way that is does not prevent the height adjustment.





# Ropox Toilet Lifter

## Manual (40-45027)

### Installation information

#### CONSTRUCTION

The wall must be of proper screw material approved for wet rooms.

Load tested in accordance with DS/ISO 17966, the max. user weight is 400kg (880 lbs).  
The grey-shaded area states the minimum area for strengthening in the wall.


#### Max. tensile load of top screws

40-45027: 44 kg/screw (97 lbs)


#### NOTE:

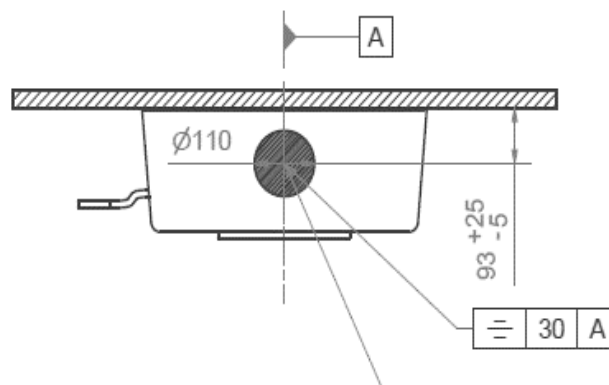
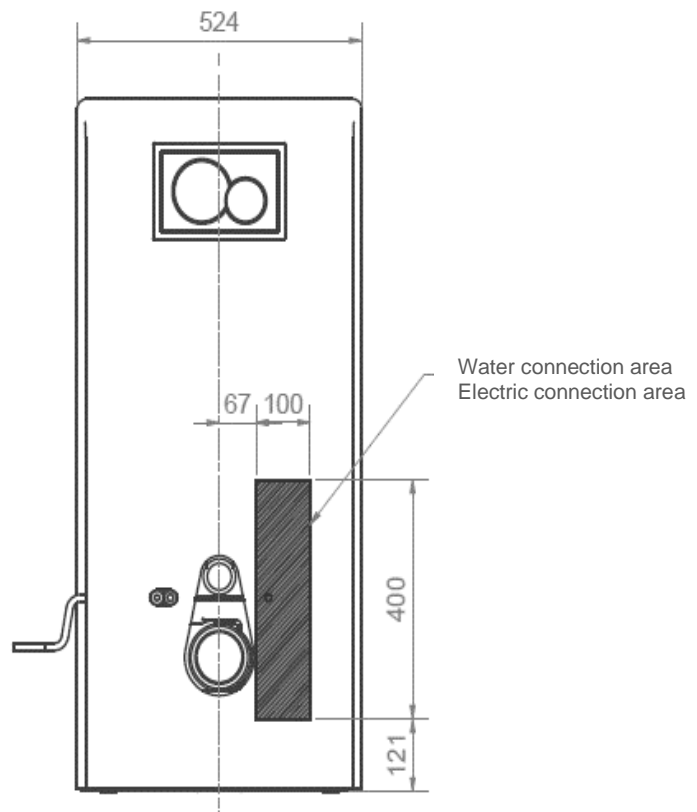
The toilet lifter is supplied with a set of 6 screws and rawplugs suitable for mounting on a concrete wall. The fitter should always consider the material, condition, and strength of the wall and use screws and rawplugs suitable for the specific wall type.

#### PLUMBING

The floor drain must be an outside  $\text{\O}110\text{mm}$  (4 1/3in) drain pipe without a coupler and recommended completed at floor level. Optimal placement is shown in  shaded area.

The water supply ends with one 90° shut-off valve with 1/2in outside thread pointing upward.

The recommended location of water is illustrated with the  shaded area.



Floor drain must sit flush with floor

# Ropox Toilet Support Arms

## All models of Straight and Wave (40-40110, 40-40115, ..20, ..25, ..40, ..45, ..50 og ..51)

### CONSTRUCTION

The wall must be made of a material suited for screw mounting and approved for damp rooms.

The hatched area is the minimum area for reinforcement of the wall. Reinforcement from floor to ceiling is advisable.

The Toilet Support arms from 40-40110 up to 40-40145 are all 900mm (35 1/2") long. The models 40-40150 and 40-40151 are 760mm (30").

All support arms are load-tested according to DS/ISO 17966 the max user weight are:

### Max. user weight according to DS/EN 12182

- 40-40110: 190 kg (418 lbs)
- 40-40115: 190 kg (418 lbs)
- 40-40120: 390 kg (858 lbs)
- 40-40125: 390 kg (858 lbs)
- 40-40140: 385 kg (847 lbs)
- 40-40145: 385 kg (847 lbs)
- 40-40150: 255 kg (561 lbs)
- 40-40151: 255 kg (561 lbs)
- 40-40152: 385 kg (847 lbs)

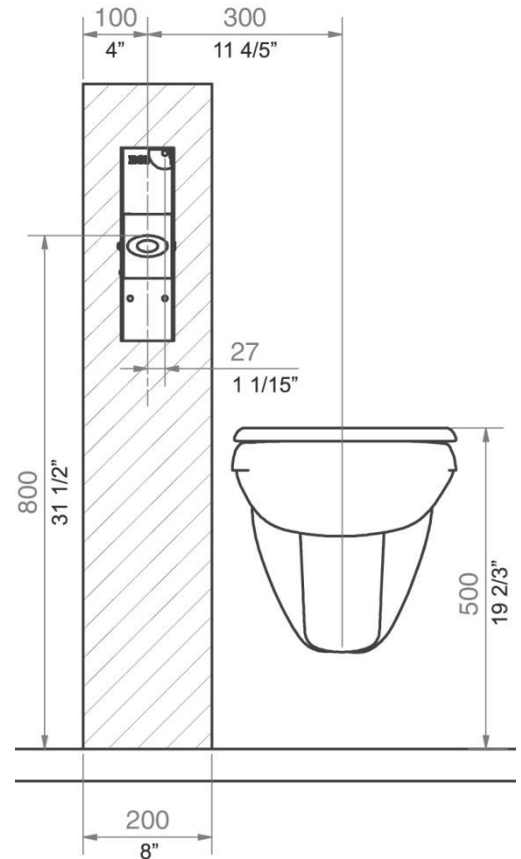
### Max. tensile load of upper screws

- 40-40110: 80 kg/screw (176 lbs)
- 40-40115: 80 kg/screw (176 lbs)
- 40-40120: 90 kg/screw (198 lbs)
- 40-40125: 90 kg/screw (198 lbs)
- 40-40140: 160 kg/screw (352 lbs)
- 40-40145: 160 kg/screw (352 lbs)
- 40-40150: 90 kg/screw (198 lbs)
- 40-40151: 90 kg/screw (198 lbs)

### NOTE:

All dimensions are based on a fixed height of the toilet support of 800mm (31 1/2") above floor level. If a change of this height is required, the recommended dimensions must be changed accordingly.

The unit is supplied with a set of 6 screws and rawplugs suitable for mounting on a concrete wall. The fitter should always consider the material, condition and strength of the wall and use screws and rawplugs suitable for the specific wall type.

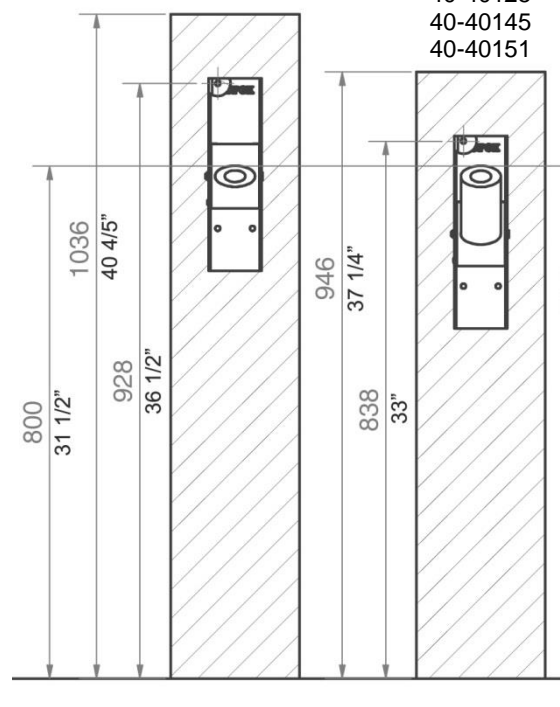


### Straight

- 40-40110
- 40-40120
- 40-40140
- 40-40150
- 40-40152

### Wave

- 40-40115
- 40-40125
- 40-40145
- 40-40151



# Ropox Toilet Support Arms

## Optional: Height-adjustable wall fitting (40-40907)

### CONSTRUCTION

The wall must be made of a material suited for screw mounting and approved for damp rooms.

The hatched area is the minimum area for reinforcement of the wall. Reinforcement from floor to ceiling is advisable.

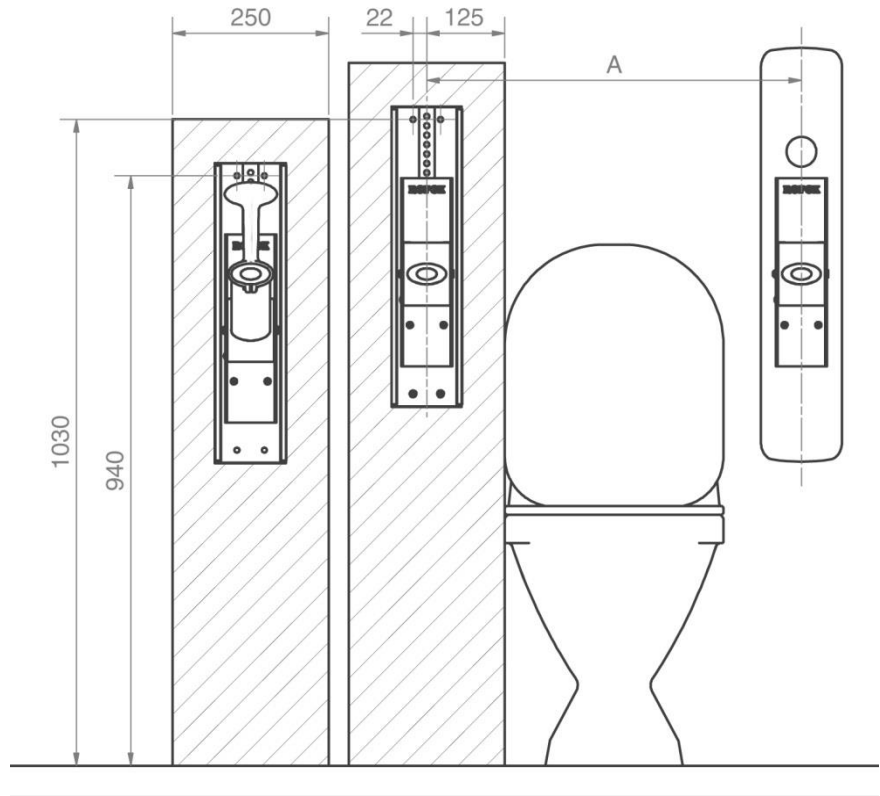
All support arms are load-tested according to DS/ISO 17966 the max user weight are:

### Max. user weight according to DS/ISO 17966

- 40-40110: 190 kg (418 lbs)
- 40-40115: 190 kg (418 lbs)
- 40-40120: 325 kg (715 lbs)
- 40-40125: 325 kg (715 lbs)
- 40-40140: 325 kg (715 lbs)
- 40-40145: 325 kg (715 lbs)
- 40-40150: 255 kg (561 lbs)
- 40-40151: 255 kg (561 lbs)

### Max tensile load of upper screws

- 40-40110: 80 kg/screw (176 bs)
- 40-40115: 80 kg/screw (176 lbs)
- 40-40120: 90 kg/screw (198 lbs)
- 40-40125: 90 kg/screw (198 lbs)
- 40-40140: 160 kg/screw (352 lbs)
- 40-40145: 160 kg/screw (352 lbs)
- 40-40150: 90 kg/screw (198 lbs)
- 40-40151: 90 kg/screw (198 lbs)



Wave	Straight
40-40115	40-40110
40-40125	40-40120
40-40145	40-40140
40-40151	40-40150
	40-40152

### NOTE:

All dimensions are based on a fixed height of the toilet support of 800mm +/- 60mm (31 1/2" +/- 2 1/3") above floor level. If a change of this height is required, the recommended dimensions must be changed accordingly.

The unit is supplied with a set of 8 screws and rawplugs suitable for mounting on a concrete wall. The fitter should always consider the material, condition and strength of the wall and use screws and rawplugs suitable for the specific wall type.


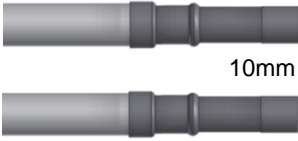






### Distance A

Acc. to standard	A
DS 3028	600 mm (23 5/8")
DIN 18040-1	712-762 mm (28 1/32"-30")

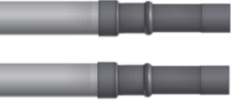



# Connection Adapters – Swing Washbasin

The components illustrated below are available as optional extras depending on the type of installation in the building.








## Water supply adapters

Swing Wash Basin	Hose from basin	Adapters	Installation in room (not included)
	 10mm	 <b>10mm -&gt; 1/2"</b> Item No. 97001667	 <b>1/2"</b> thread
		 <b>10mm -&gt; 3/8"</b> Item No. 97001668	 <b>3/8"</b> thread
		 <b>10mm -&gt; 15mm</b> Item No. 97001665	 <b>15mm</b> pipe


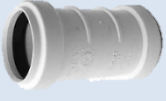


## Water hose extensions

Hoses from basin	Coupling piece	Extra hose
 10mm	 <b>10mm -&gt; 1/2"</b> Item No. 97001101	 <b>1/2" x 1/2", 0,5m (19,7"), steel</b> Item No. 97001123
		 <b>1/2" x 1/2", 1m (39,4"), plastic</b> Item No. 97001120

## Drain adapters

Swing washbasin	Drain from washbasin	Adapters	Installation in room (not provided)
	 Ø32 (1 ¼")	No adapter required	 Ø32 (1 ¼")
		 <b>Ø32 -&gt; Ø40</b> Item No. 97001660	 Ø40 (1 ½")
		 <b>Ø32 -&gt; Ø50</b> Item No. 97001661	 Ø50 (2")







## Drain extensions

Drain hose from washbasin	Coupling piece	Extra drain hose
 Ø32 (1 ¼")	 <b>Ø32-Ø32</b> Item No. 97001062	 <b>Ø32 Flex hose, 27-62cm (10,6"-24,4")</b> Item No. 97001162
		 <b>Ø32 Flex hose, 40-110cm (15,7"-43,3")</b> Item No. 97001161





# Connection Adapters – Other Washbasins

The components illustrated below are available as optional extras depending on the type of installation in the building.







## Water supply adapters

Hoses from wash basin	Adapters	Installation in room (not included)
 1/2"	No adapter required	 1/2" thread
	 1/2" -> 3/8" Item No. 97001670	 3/8" thread
	 1/2" -> 15mm Item No. 97001666	 15mm pipe





## Water hose extensions

Hose from washbasin	Coupling piece	Extra hose
 1/2"	 1/2" -> 1/2" Item No. 97001669	 1/2" x 1/2", 0,5m (19,7"), steel Item No. 97001123
		 1/2" x 1/2", 1m (39,4"), plastic Item No. 97001120

## Drain adapters

Drain from wash basin	Adapter	Installation in room (not provided)
 Ø32 (1 1/4")	No adapter required	 Ø32 (1 1/4")
	 Ø32 -> Ø40 Item No. 97001660	 Ø40 (1 1/2")
	 Ø32 -> Ø50 Item No. 97001661	 Ø50 (2")

## Drain extensions

Drain hose from wash basin	Coupling piece	Extra drain hose
 Ø32 (1 1/4")	 Ø32-Ø32 Item No. 97001062	 Ø32 Flex hose, 27-62cm (10,6"-24,4") Item No. 97001162
		 Ø32 Flex hose, 40-110cm (15,7"-43,3") Item No. 97001161

