

”A sit/stand table giving you a comfortable height and posture”



ROPOX VISION HIGH-LOW TABLE

A PRACTICAL AND BEAUTIFUL DESK

You can work either sitting or standing at the Vision High-Low, as the height is easy to adjust to your working position by a light pressure on the control switch. You can tilt the worktop and shorten the visual distance to the documents on the worktop which is convenient particularly for weak-sighted and users with reduced arm function. The tabletop has a matte surface, therefore no annoying glare. If you add the MagRule magnet, you can keep your documents in place even when the table top is tilted.

Vision High-Low is both elegant and advanced. It is in a simple, classic design and provides all the features you need in a modern desk. If you think the cords mess up the elegant look, the table can be supplied with a battery solution making the table completely cordless.

Furthermore, you can choose arm supports if you prefer extra support for your forearms and as an aid for a balanced position.



ROPOX™

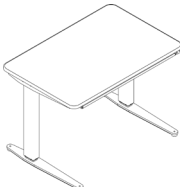
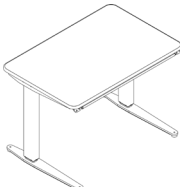
BETTER WAYS TO BETTER DAYS

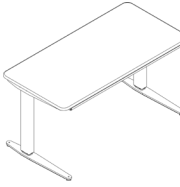

- A PART OF AddLife®

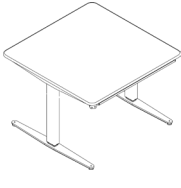
ROPOX VISION HIGH-LOW TABLE

Max. load capacity: 130kg
 Height: 62-127 cm
 Depth: 60 or 90 cm
 Width: 90 or 120 cm
 Inner Width: 71 or 101 cm
 Frame Colour: Silver Grey

TECHNICAL INFORMATION

| VARIANT/MODEL | A | B |
|-----------------|---|--|
| SIZE 90 X 60 CM |  Item no.: 20-60800 |  Item no.: 20-60801 |

| VARIANT/MODEL | A | B |
|------------------|---|--|
| SIZE 120 X 60 CM |  Item no.: 20-60800 |  Item no.: 20-60801 |

| VARIANT/MODEL | A |
|-----------------|---|
| SIZE 90 X 90 CM |  Item no.: 20-60812 |

All tables are electrical height adjustable from 62-127 cm.
 Stepless tiltable tabletop up to 71°.

ACCESSORIES

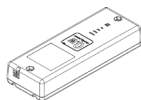
Arm support
 incl. bag and hook
 Item no.: 20-60520



Arm support lock-able
 incl. hook and bag
 Item no.: 20-60517



Battery solution
 Item no.: 20-60825



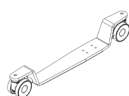
MagRule
 30 cm Item no.: 20-60545
 50 cm Item no.: 20-60541



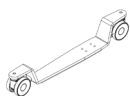
Magnet
 Item no.: 50200-000



Castors with brake without height increase
 Table depth 60 cm
 Item: 20-60821



Castors with brake without height increase
 Table depth 90 cm
 Item: 20-60822



NB! Find more information about measurements, technical data, installation interfaces and much more under the product and in the instruction manuals on our website.