

”Perfect working conditions  
– regardless your height”

## FLEXIELECTRIC/FLEXICORNER

### YOUR TABLETOP WILL REACH NEW HEIGHTS

Electrical height adjustable system allows you to easily adjust the tabletop for the perfect working height for both persons sitting or standing.

Especially suitable for wheelchair users as the system allows you to instantly change the worktop height to suit your individual activity.

Corner solutions are also available with the Flexi systems so that the sink, hob and preparation area can be adjusted instantly together.

The Flexi systems are ideal for private homes, schools, training kitchens, nursing homes, homes for elderly people and for people with disabilities.

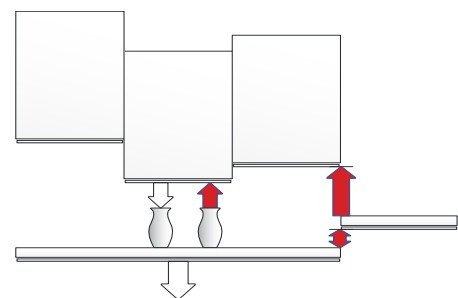
Smartbox for connecting the safety systems of several units - In principle, the collision protection devices of one or more Verti-Inside, VertiElectric, DiagonalElectric and FlexiElectric can be connected. Each system requires its own Smartbox.

Note: Smartbox cannot be combined with FlexiPlus.

\* Disclaimer; ”only applies when table top or cabinet moves up into another smartbox-connected safety strip or safety stop plate”.



Ropox FlexiElectric and FlexiCorner solution.

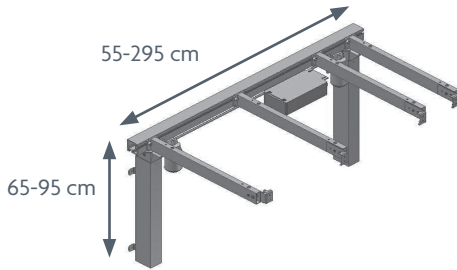


Smartbox installed to avoid trapping during upwards movement\*

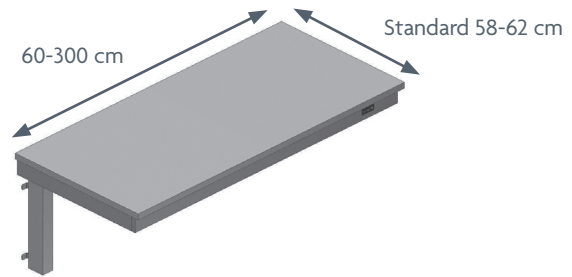
# FLEXIELECTRIC/FLEXICORNER

Max. load: 150 kg evenly distributed  
 Height: 65-95 cm  
 Length: 60-300 cm  
 Colour: RAL 9010

## FLEXIELECTRIC – standard frame for worktop

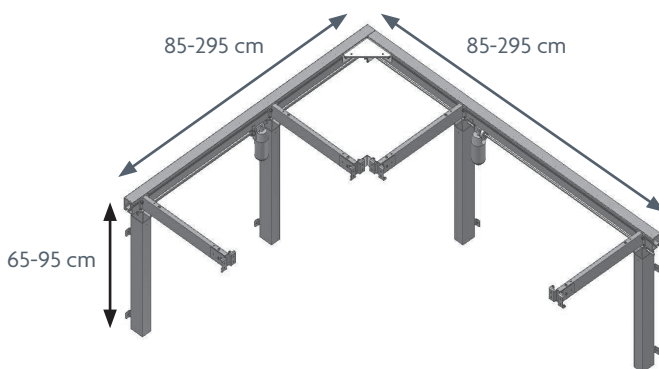


## FLEXIELECTRIC – frame including worktop and fascia

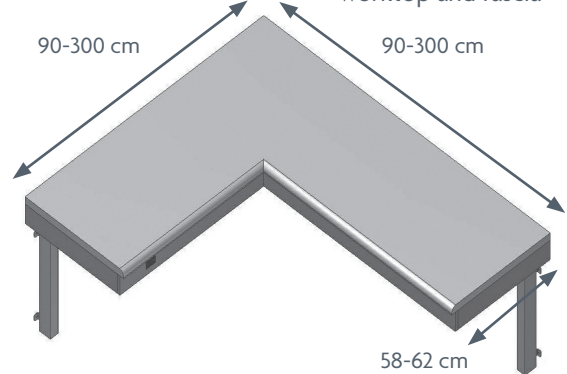


MODELS/ITEM	30-66060/ 30-66100	30-66105/ 30-66150	30-66155/ 30-66200	30-66205/ 30-66250	30-66255/ 30-66300
LENGTH OF WORKTOP	60-100 cm	105-150 cm	155-200 cm	205-250 cm	255-300 cm

## FLEXIELECTRIC CORNER – standard frame for worktop



## FLEXIELECTRIC CORNER – frame including worktop and fascia



## ACCESSORIES

Ropox Bluetooth  
Item: 30-90591



Cover telescopic  
without/with food  
Item: 30-67735/30-67737



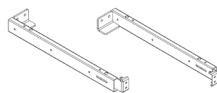
Support arms for worktop, depth 38-72 cm  
Item: 30-67619 to 30-67627



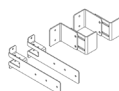
Safety strip, length 56-920 cm  
Item: 30-69056 to 30-69920



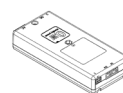
Support Arm  
Left Item: 30-67645 to 30-67649  
Right Item: 30-67644 to 30-67648



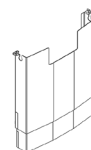
Fitting for concealment panels  
Item: 30-67760



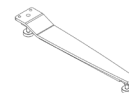
Height adjustable programming, 0-66 cm  
Item: 30-66010



Cover for plumbing  
Item: 30-67635



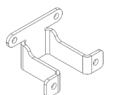
Supporting foot, relieve the wall  
49 cm Item: 30-67703  
30 cm Item: 30-67702



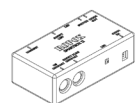
Press pad, large  
Item: 30-67841



Distance bracket  
Item: 30-67672



Smartbox  
Coupling safety stop  
Item: 30-69002



**NB!** Find more information about measurements, technical data, installation interfaces and much more under the product and in the instruction manuals on our website.

The items are produced according to the following Standard: DS / ISO 17966:2016

ROPOX A/S · Ringstedgade 221 · 4700 Naestved, Denmark – Phone: +45 5575 0500 · info@ropox.com · www.ropox.com

**ROPOX™**  
BETTER WAYS TO BETTER DAYS

– A PART OF AddLife®